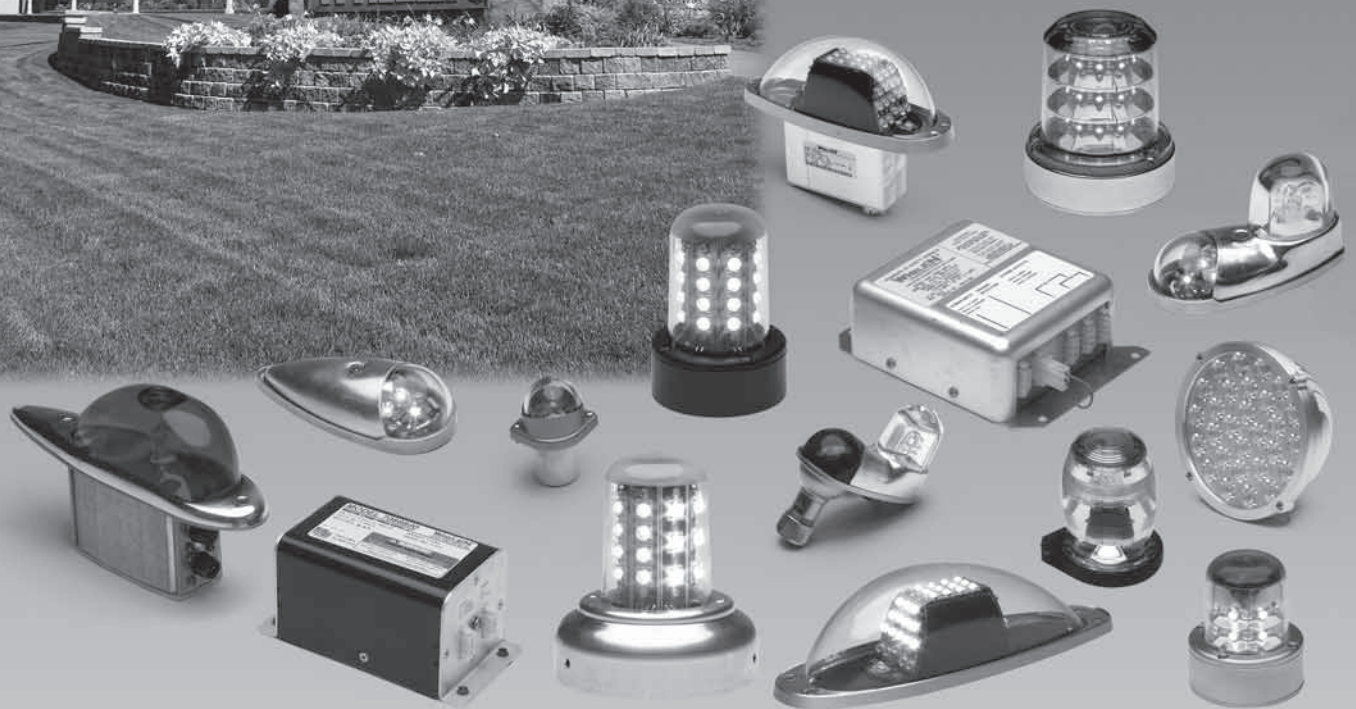




WHELEN[®]

AVIATION ILLUSTRATED SPARE PARTS CATALOG 2010

AMERICAN EMPLOYEES,
AMERICAN MANUFACTURING,
AMERICAN PRIDE!



SEE US ON THE ON THE WEB AT - www.whelen.com

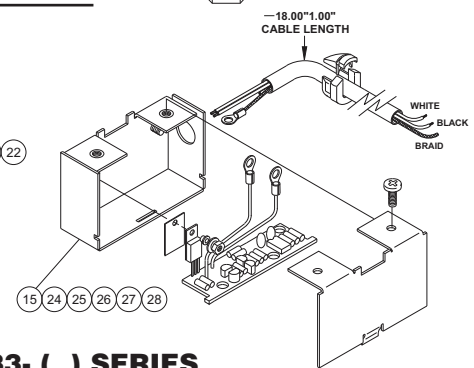
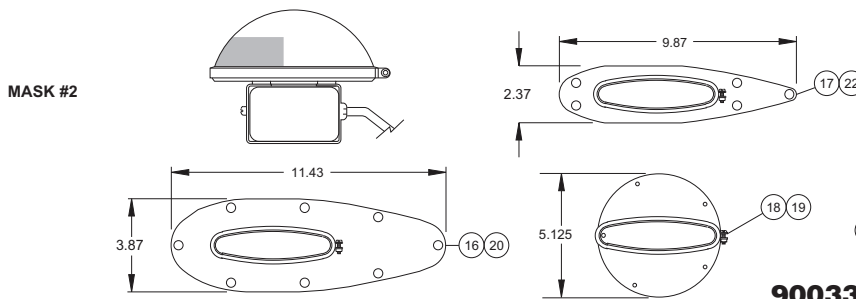
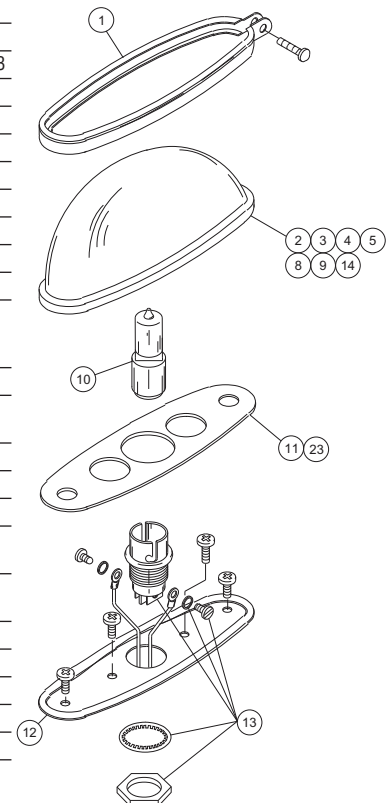
**- PRICE LIST - FULL LINE CATALOG - HELICOPTER CATALOG -
- STC MANUAL -**

FIGURE 1	MODEL 90033 REPLACEMENT PARTS	3
FIGURE 2	MODEL D90028- () LIGHT ASSEMBLY	3
FIGURE 3	MODEL 90044 REPLACEMENT PARTS	4
FIGURE 4	MODEL C-70190 ASSEMBLY	4
FIGURE 5	CITATION WINGTIP REPLACEMENT PARTS	5
FIGURE 6	MODEL 70509 FLASHER	5
FIGURE 7	MODEL A470A SERIES	6
FIGURE 8	MODEL 90081- SERIES	6
FIGURE 9	MODELS 90102-00 & 90104-00	6
FIGURE 10	MODEL A500A SERIES	6
FIGURE 11	REPLACEMENT PARTS LAMPS AND REFLECTOR LAMPS	7
FIGURE 12	WHELEN REPLACEMENT:- MOTOR ASSEMBLY - LAMPS - LENS - FLASH TUBES	7
FIGURE 13	MODEL 70900 SERIES - LED ANTI-COLLISION LIGHT ASSEMBLY FIXED WING LED BEACON	8
FIGURE 14	MODEL 71055 SERIES - LED BEACON ANTI-COLLISION LIGHT ASSEMBLY	8
FIGURE 15	MODEL A730-1 & -5 - TAIL FLOOD LIGHT ASSEMBLY	9
FIGURE 16	MODEL A360-() - CABIN LIGHT ASSEMBLY	9
FIGURE 17	MODEL A715-1 - PAR-36 LANDING AND TAXI LIGHT ASSEMBLY	9
FIGURE 18	MODEL 90093- () - ICE DETECTION LIGHT ASSEMBLY	9
FIGURE 19	MODEL 70348 POST LIGHT ASSEMBLY	10
FIGURE 20	MODEL A450 LIGHT ASSEMBLY	10
FIGURE 21	MODEL A315-HI SERIES - INSTRUMENT PANEL FLOOD LIGHT ASSEMBLY	10
FIGURE 22	MODEL 90029 LIGHT ASSEMBLY	10
FIGURE 23	MODEL W1250PG/PR - POSITION LIGHT ASSEMBLY	11
FIGURE 24	MODEL 90193 - STROBE LIGHT ASSEMBLY	11
FIGURE 25	MODEL A350 & MODEL A350, CN - INSTRUMENT POST LIGHT ASSEMBLY	11
FIGURE 26	MODEL 90095 - PAR-46 LANDING LIGHT ASSEMBLY	11
FIGURE 27	MODEL A600 ANTI-COLLISION LIGHT ASSEMBLY	12
FIGURE 28	MODEL A650 PG/PR STROBE LIGHT ASSEMBLY	12
FIGURE 29	MODEL W1285 POSITION LIGHT ASSEMBLY	12
FIGURE 30	MODEL A429, PG & PR STROBE LIGHT ASSEMBLY	12
FIGURE 31	MODEL A430 STROBE LIGHT HEAD ASSEMBLY	13
FIGURE 32	MODEL A625, A625-D STROBE LIGHT ASSEMBLY	13
FIGURE 33	MODEL A555A TAILLIGHT ASSEMBLY	13
FIGURE 34	MODEL HRCFA STROBE LIGHT ASSEMBLY	13
FIGURE 35	MODEL 70818 STROBE LIGHT ASSEMBLY	14
FIGURE 36	MODEL 70821 STROBE LIGHT ASSEMBLY	14
FIGURE 37	7078600 FLASHER ASSEMBLY	14
FIGURE 38	MODEL 7078601 FLASHER ASSEMBLY	14
FIGURE 39	MODEL 90206 STROBE POSITION/ANTI-COLLISION LIGHT HEAD ASSEMBLY	15
FIGURE 40	MODEL SA SERIES STROBE LIGHT ASSEMBLY	15
FIGURE 41	MODEL 70285 STROBE LIGHT ASSEMBLY	15
FIGURE 42	MODEL 70844() LED POST LIGHT	16
FIGURE 43	MODEL 70875 SERIES LED FORWARD POSITON LIGHT	16
FIGURE 44	MODEL 70946 SERIES LED FORWARD POSITON LIGHT	16
FIGURE 45	MODEL 71105() POSITON LIGHT 28V	16
FIGURE 46	MODEL 71125 SERIES FINAL ASSEMBLY	17
FIGURE 47	MODEL 90340() ANTI-COLLISION/POSITION ASSEMBLY	17
FIGURE 48	MODEL 90377() POSITION LIGHT	17
FIGURE 49	MODEL 71080 SERIES LED ANTI-COLLISION LIGHT	17
FIGURE 50	MODEL 71110 SERIES FINAL ASSEMBLY	17
FIGURE 51	MODEL 70905 () SERIES LED ANTI-COLLISION LIGHT	19
FIGURE 52	MODEL 71011 SERIES, 28V LED TAIL POSITION LIGHT	19
FIGURE 53	MODEL 71011 SERIES, 14V LED TAIL POSITION LIGHT	20
FIGURE 54	MODEL 70966 () SERIES FINAL ASSEMBLY	20
FIGURE 55	MODEL 90520 SERIES LED FLASHING SPLIT ANTI-COLLISION LIGHT ASSEMBLY	20
	STROBE POWER SUPPLY REPLACEMENT LISTING	21
	WHELEN CROSS REFERENCE LISTS: WHELEN/AEROFASH/CESSNA - WHELEN/SDI/HOSKINS - WHELEN/GRIMES	22, 23

FIGURE 1

MODEL 90033 REPLACEMENT PARTS

Item	Whelen P/N	Model	Description	Used On Final
1	19-250155-000	50155000	Clamp Ring, For 90033	ALL
2	68-4250258-58	5025858	Lens Red, with Drain Hole, used on 90033 Series	—01—03—07—09—19—23—31
3	68-4250258-38	5025838	Lens Clear, with Drain Hole, used on 90033 Series	—02—04—08—10—20—21—24—32
4	68-4270140-50	7014050	Lens Red, used on 90033 Series	—05,—11,—13,—25,—27,—29,—33
5	68-4270140-30	7014030	Lens Clear, used on 90033 Series	—06,—12,—14,—22,—26,—28,—34
8	68-4250257-52	5025752	Lens Red with Mask, 90033-17	—17
9	68-4250257-32	-	Clear (with Mask #2)	-
10	34-0226010-91	-	Lamp, (28V, 150W) D.C. Bayonet Base	ALL
11	38-0250154-00	5015400	Seal-Silicon	ALL
12	06-170166-000	7016600	Mounting Base, 2 Hole used on 90033 Series	ALL
13	33-06230359-0	303590	Lamp Holder Assembly, 90033 Series	ALL
14	68-4250407-32	5040732	Lens, Masked, Clear, 90033-30	—30 Only
15	01-0268469-00	6846900	Flasher Assembly, 28V, used on 90033 Series	—01—02—03—04—05—06—09—10—11—12—19—20—23—24—33—34—43—44
16	06-170278-008	70278008	Mounting Plate, 8 Hole, used on 90033 Series	—03—04—09—10—23—24—27—28
17	06-170277-008	70277008	Mounting Plate, 5 Hole, used on 90033 Series	—05—06—11—12—15—16—21—22—25—26—29—30—33—34
18	06-170276-008	70276008	Mounting Plate, Round used on 90033 Series	—07—08
19	38-0270334-00	7033400	Gasket, Mounting, 90033-7, -8	—07—08
20	38-0270585-00	7058500	Gasket, 8 Hole Base, Silicon, 90044 Series	—03—04—09—10—23—24—27—28
22	38-0270427-00	7042700	Gasket, Mounting, 90033-33, -34	—05—06—11—12—15—16—21—22—25—26—29—30—33—34
23	38-0250154-01	5015401	Fuel Resistant Lens Gasket (90033)	—01—02—03—04—07—08—09—10—19—20—23—21—31—24—32
24	01-0270759-00	7075900	Flasher Assembly (Master)	—29—30
25	01-0270759-01	7075901	Flasher Assembly (Slave)	—31—32
26	01-0270758-00	7075800	Flasher Assembly	—07,—08,—13,—14,—17,—18
27	01-0270762-00	N/A	Flasher Assembly (Master)	-
28	01-0270761-00	N/A	Flasher Assembly (Slave)	-
29	01-0790033-03	90033() thru -44	90033 Series Flashing Beacon Assembly	-



MODEL D90028- () LIGHT ASSEMBLY

FIGURE 2

Item	Whelen P/N	Model No.	Description
1	1-0790028-00	9002800	Strobe Flash Tube Assembly (Unpainted)
2	01-0790028-01	9002801	Strobe Flash Tube Assembly (Painted)
3	D900283	-	Wing Tip Light Head Assembly with 45° Mounting Bracket
4	D900285	-	Taillight Head Assembly with 90° Mounting Bracket
5	D900287	-	Wing Tip Light Head Assembly with 45° Mounting Bracket and MS Connector
6	D900289	-	Taillight Head Assembly with 90° Mounting Bracket and MS Connector
7	B40279	-	MS Connector Assembly
8	C70191	-	Mounting Bracket (45°)
9	C70192	-	Mounting Bracket (90°)

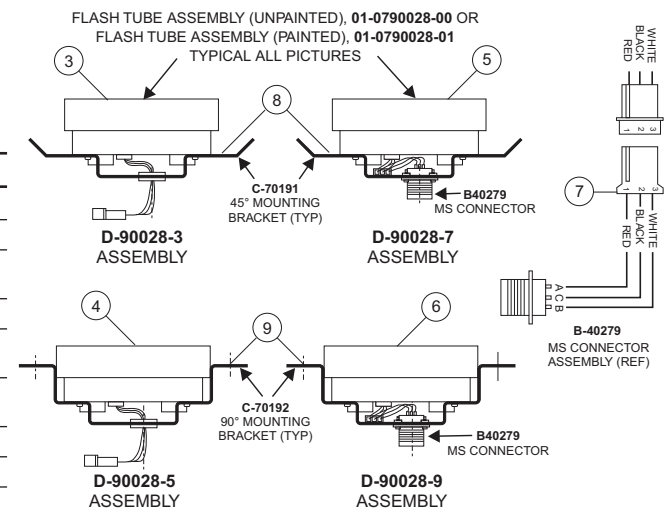
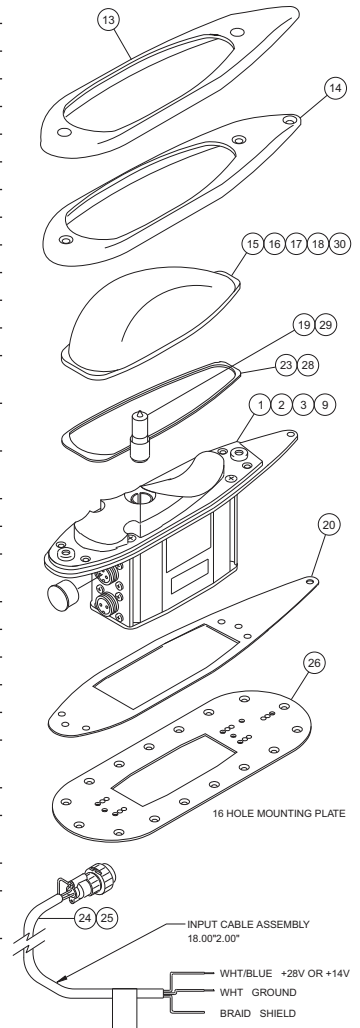


FIGURE 3

MODEL 90044 REPLACEMENT PARTS

Item	Whelen P/N	Model No	Description	Used On Final
1	02-0370591-00	-	Electronic (5 Hole) Alternate	—01—02—03 & —04,—38,—40,—42,—43
2	02-0370592-00	-	Electronic (5 Hole) Redundant	—05—06—07
3	02-0370593-00	-	Electronic (5 Hole) Sync	
4	02-0370594-00	-	Electronic (5 Hole) Slave	
5	02-0370595-00	-	Electronic (8 Hole) Alternate	—17—18—19 & —20
6	02-0370596-00	-	Electronic (8 Hole) Redundant	—21—22—23 & —24
7	02-0370597-00	-	Electronic (8 Hole) Sync	—25—26—27 & —28
8	02-0370598-00	-	Electronic (8 Hole) Slave	—29—30—31 & —32
9	02-0370601-00	-	Electronic (5 Hole) Alternate (2.25 lbs.)	—33 & —34
10	02-0370610-00	-	Electronic (8 Hole) Alternate (2.50 lbs.)	—35 & —36
11	02-0370643-00	-	Electronic (5 Hole) Alternate	—37 & —39
12	02-0370655-00	-	Electronic (9 Hole) Alternate	—41
13	19-170560-002	70560002	Lens Retainer, 2 Hole, 90044 Series	—17 Thru —32—35—36 & —41
14	19-170560-001	70560001	Lens Retainer, 3 Hole, 90044 Series	—01 Thru —16—33—34 —37 & —39
15	68-4270569-52	7056952	Lens Red, used on 90044 Series	—01—05—09—13—17—21—25—29—33 —35 & —37 —55
16	68-4270569-32	7056932	Lens Clear, used on 90044 Series	—02—06—10—14—18—22—26—30 —34 & —36
17	68-4270569-53	7056953	Lens Red, w/Hole, used on 90044 Series	—03—07—11—15—19—23—27—31 —39 & —41
18	68-4270569-33	7056933	Lens Clear, with Hole, 90044 Series	—04—08—12—16—20—24—28 & —32
19	34-0226010-91	28V/150W	Lamp, (28V, 150W) D.C. Bayonet Base	ALL
20	38-0270586-00	7058600	Gasket, 5 Hole Base, 90044 Series	—1 Thru —16—33—34 —37 —38 —39, 40, 42, 43
21	38-0270585-00	7058500	Gasket, 8 Hole Base, Silicon, 90044 Series	—17—18—20 Thru —33—34 & —36
22	38-0270585-01	7058501	Gasket, 8 Hole Base, BUNA-N, 90044 Series	—19
23	38-0270584-00	7058400	Gasket, Lens, Silicon, 90044 Series	ALL UPPER MT.
24	46-0750490-00	-	Input Cable	-
25	46-0770602-00	7060200	Input Cable (90044)	ALL Except —33—34 & —41
26	06-170618-000	70618000	18 Hole Mounting Plate, for Gulfstream II, 90044 Series	A.R.
27	38-0270656-00	-	Gasket, (9 Hole)	—41
28	38-0270584-01	7058401	Gasket, Lens (Fuel Resistant), BUNA-N, 90044 Series	ALL LOWER MT.
29	34-0212010-97	12V, 125W	Lamp, (12V, 125W) D.C. Bayonet Base	—42 —43
30	68-4270569-57	7056957	Lens, Red with 2 Drain Holes, used on 90044-54 & -56	—54



90044- () SERIES

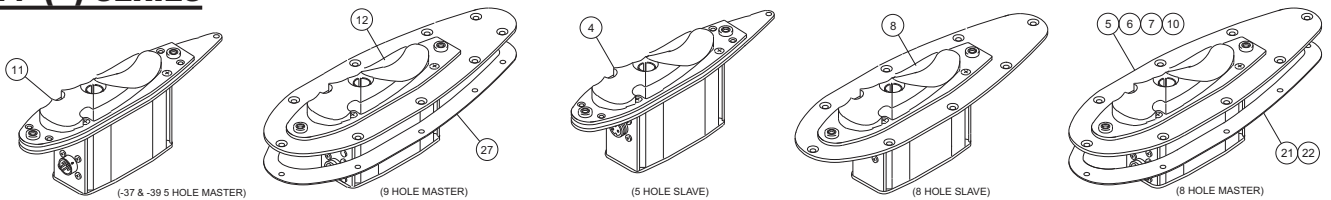


FIGURE 4

MODEL C-70190 ASSEMBLY

Item	Whelen P/N	Model No.	Description
1	02-0330382-00	N/A	Red Lens/Retainer Assembly, used on A315 HI & LO
2	02-0330382-01	N/A	Clear Lens/Retainer Assembly, used on A315 HI & LO
3	02-0330382-02	N/A	Blue Lens/Retainer Assembly, used on A315 HI & LO

HOW TO ORDER

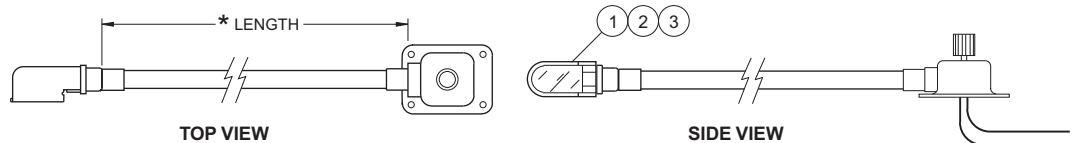
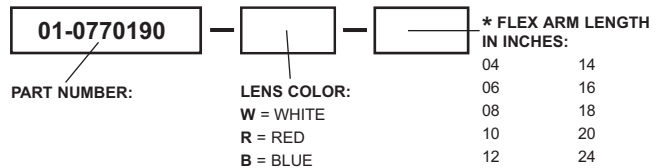
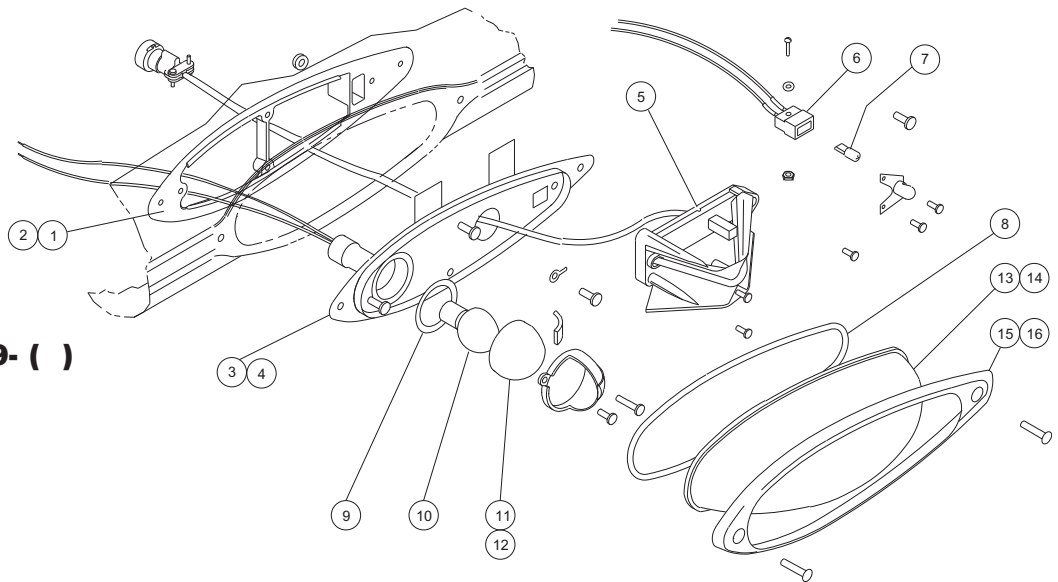


FIGURE 5

CITATION WINGTIP REPLACEMENT PARTS

Item	Whelen P/N	Description	Used On Final
1	07-790157-001	Doubler Plate	—01, —02, —05, —06, —09, —10
2	07-790177-001 90177001	Doubler Plate, used on 90159 Series	—03, —04, —07, —08, —11, —12
3	06-170600-000 0	Base Plate Assembly	-
4	06-170600-001 0	Base Plate Assembly	-
5	02-0270603-00 7060300	Flash Tube Assembly (Wing Tip Light) 90159 & 90206	All
6	02-0250546-00 N/A	Lamp Holder Assembly	—03, —04, —07, —08, —11, —12
7	34-0428070-64 A50828	Lamp 28V 25W (A508-28)	—03, —04, —07, —08, —11, —12
8	38-0270590-00 7059000	Gasket, Lens, 90159 & 90206 Series	All
9	38-0230021-00 W1283	Gasket, Position Light Lens, W-1283/W-1285/A650	All
10	34-0428020-65 W129028	Lamp, Reflector 28V, 26W (W1290-28)	All
11	68-4230020-40 W1284G	Lens, Green Position Light	—02, —04, —06, —08, —10, —12
12	68-4230020-50 W1284R	Lens, Red Position Light	—01, —03, —05, —07, —09, —11
13	68-4170581-3A 705813A	Lens, (Plastic) used on 90159 Series	—01, —02, —03, —04
14	68-4170665-307066530	Lens, Glass, used on 90159 & 90206 Series	—05, —06, —07, —08
15	19-190154-001 -	Retainer	-
16	19-190187-001 90187001	Lens Retainer, 90159 Series Wingtip Light (Glass Lens)	—5, —6, —7, —8, —9, —10, —11, —12

MODEL 90159- ()



MODEL 70509 FLASHER

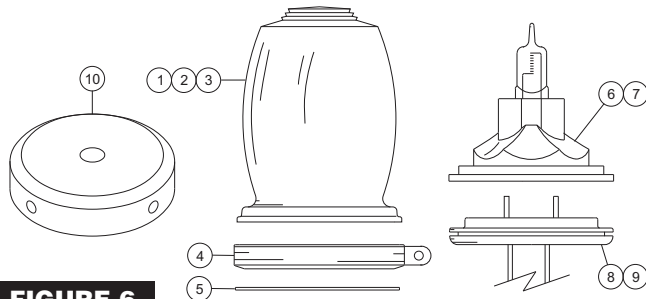


FIGURE 6

Item	Whelen P/N	Model No.	Description
	01-0770509-()	70509()	Flasher Beacon Assembly
1	68-2170504-30	A402AW	Lens Assembly White
2	68-2170504-50	A402AR	Lens Assembly Red
3	68-2170504-60	A402AS	Lens, Split Red/White
4	01-0450685-00	5068500	Clamp Ring Assembly (Nylon)
5	38-0230039-00	A467	Gasket, 2.5" Dia. (.046 Thick)
6	02-0350433-00	5043300	Lamp Assembly, (14V) 70509 Series
7	02-0350433-01	5043301	Lamp Assembly, (28V) 70509 Series
8	02-0250627-00	5062700	Flasher/Base Ass'y, (14V) used on 70509 Series
9	02-0250627-01	5062701	Flasher/Base Ass'y, (28V) used on 70509 Series
10	11-350519-001	50519001	Mounting Adapter, 3.75" Dia. on 70509 Series

MODEL A470A SERIES

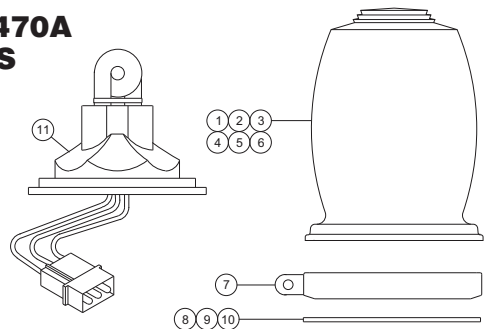


FIGURE 7

Item	Whelen P/N	Model No.	Description
1	68-2170504-50	A402AR	Lens Assembly Red
2	68-2170504-60	A402AS	Lens, Split Red/White
3	68-2170504-30	A402AW	Lens Assembly White
4	68-2170504R50	A402ADR	Lens, Red (RFI Shielded)
5	68-2170504R60	A402ADS	Lens, Split Red/White (RFI Shielded)
6	68-2170504R30	A402ADW	Lens, White (RFI Shielded)
7	01-0450685-00	5068500	Clamp Ring Assembly (Nylon)
8	38-0230039-00	A467	Gasket, 2.5" Dia. (.046 Thick)
9	38-0250429-00	A467A	Gasket, RFI Shielded
10	38-0230269-00	A467B	Gasket, 2.5" Dia. (.093 Thick)
11	01-0770044-02	A469B	Flash Tube Assembly

FIGURE 8

Item	Whelen P/N	Model No.	Description
—	01-0790081-00	9008100	Flashing Beacon Assembly Vertical Fin Mount
—	01-0790081-01	9008101	Flashing Beacon Assembly Upper Fuselage Mount
—	01-0790081-02	9008102	Flashing Beacon Assembly Lower Fuselage Mount
1	02-0370360-00	7036000	Dome Assembly (90081-00)
2	02-0370360-01	7036001	Dome Assembly (90081-01)
3	34-0226010-91	28V, 150W	Lamp, (28V, 150W) D.C. Bayonet Base
4	02-0370763-00	7076300	Flasher Assembly (90081)
5	11-350336-003	50336003	Housing Cover, 90081 Elect. Package
6	19-130074-009	A440	Mounting Adapter, (Same as A440)
7	19-250094-000	WRM25	Clamp Ring Assembly used on 90081
8	38-0230109-00	WRM30	Gasket, Dome, for 90081 & WRM 10
9	02-0370360-02	7036002	Dome Assembly (90081-02)

MODEL 90081- SERIES

FAA/PMA APPROVED FOR 28 VDC ONLY.

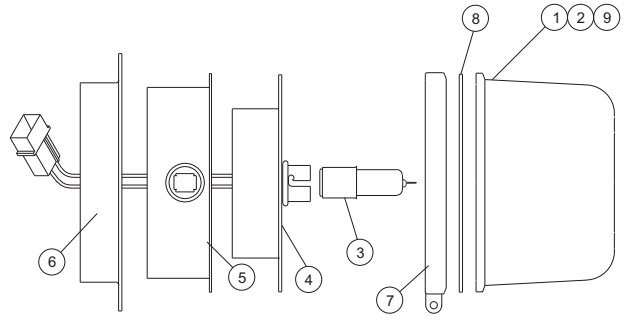


FIGURE 9

Item	Whelen P/N	Model No.	Description
1	01-0790104-00	9010400	Dual Taillight Assembly
2	01-0790102-00	9010200	Dual Wing Tip Assembly
3	01-0770417-00	7041700	Strobe Light Assembly
4	02-0370418-00	7041800	Strobe Sub Assembly, used on 7041700
5	02-0350263-01	A628D	Lens Retainer Assembly, Clear, Shielded, used on A625 Series

MODELS 90102-00 & 90104-00

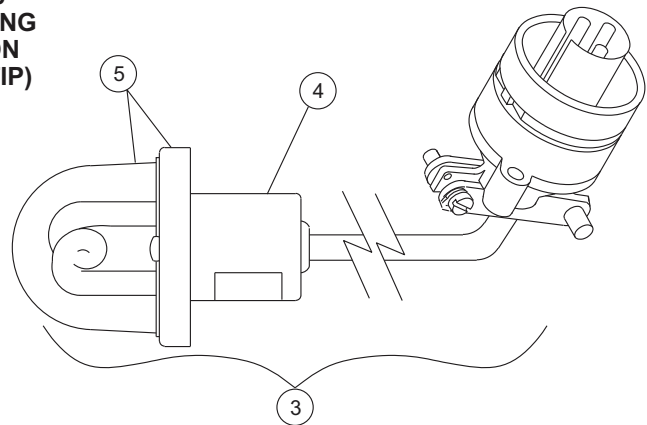
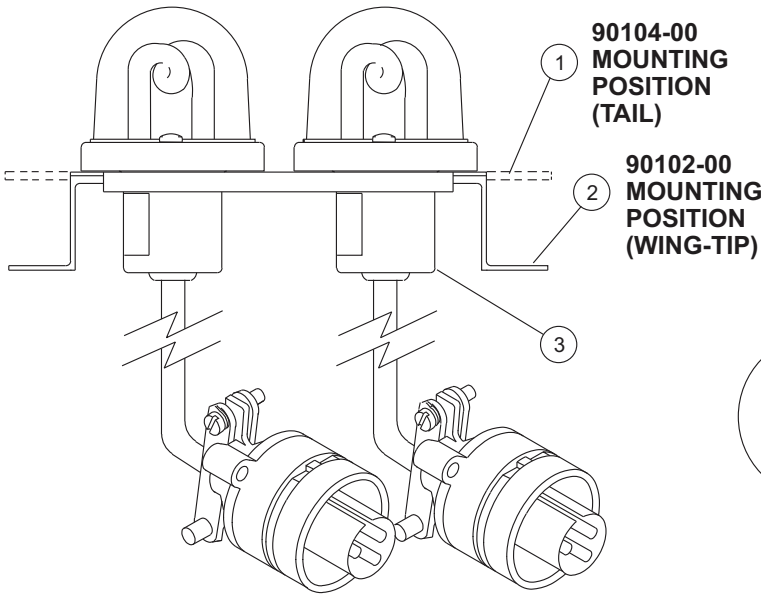
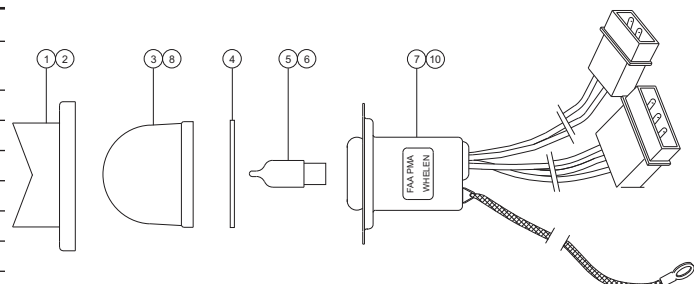


FIGURE 10

Item	Whelen P/N	Model No.	Description
1	19-0150350-02	A425AV	Lens Retainer, Vertical Mount, used on A500A Series
2	19-0150350-01	A425AH	Lens Retainer, Horizontal Mount, used on A500A Series
3	68-4270002-30	A457A	Lens, White
4	38-0230002-00	A455	Gasket For A430
5	34-0412070-63	A50814	Lamp 14V, 25W
6	34-0428070-64	A50828	Lamp 28V, 25W (A508-28)
7	02-0350034-00	A506	Flash Tube Assembly, A500A Series
8	68-4270002-34	A457AC	Lens, RFI Coated
9	02-0350375-00	A506D	Flash Tube Assembly, Radio Shielded, used on A500A Series

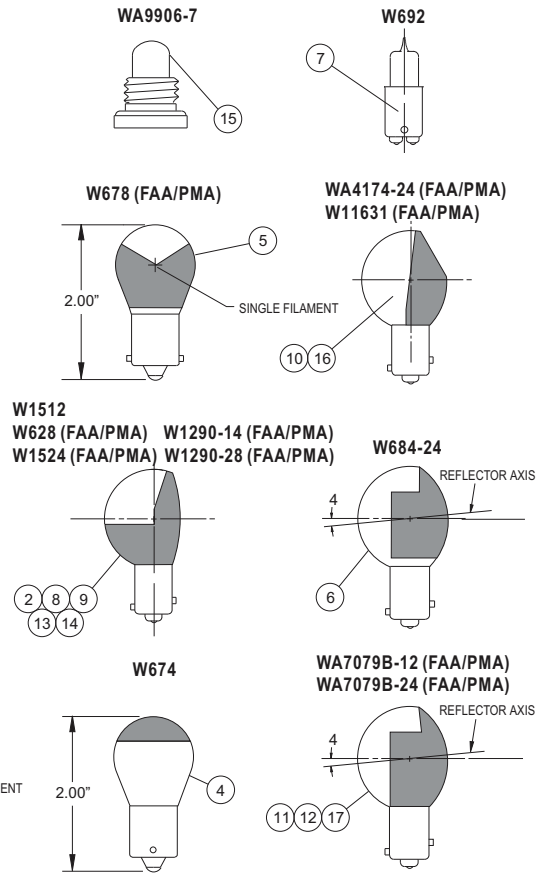
MODEL A500A SERIES



REPLACEMENT PARTS
LAMPS AND REFLECTOR LAMPS

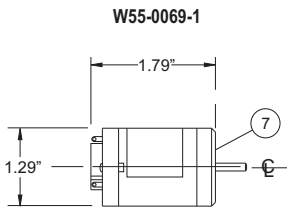
FIGURE 11

Item	Whelen P/N	Model No.	Description	Dwg. No.
—	—	—	—	—
2	34-0070373-02	W628	Reflector Lamp, 26.5V, 26W	70373
3	34-0070375-01	W632	Reflector Lamp, 28V	70375
4	34-0070374-01	W674	Lamp, Reading Light 28V	70374
5	34-0070391-01	W678	Reflector Lamp, 28V, 21W	70391
6	34-0070392-01	W684-24	Lamp, Reflector 28V, 40W	70392
7	34-0270398-9H	W692	Lamp, D.C. Bayonet 28V, 25W	70398
8	34-0070373-01	W1512	Reflector Lamp, 12V, 21W	70373
9	34-0070373-03	W1524	Reflector Lamp, 24V, 21W	70373
10	34-0070372-01	WA417424	Reflector Lamp, 28V, 40W	70372
11	34-0070371-02	WA7079B1	Reflector Lamp, 14V, 40W	70371
12	34-0070371-01	WA7079B2	Reflector Lamp, 28V, 40W	70371
13	34-0414020-65	W129014	Reflector Lamp, 14V, 26W	70373
14	34-0428020-65	W129028	Lamp, Reflector 28V, 26W (W1290-28)	70373
15	34-0050315-01	WA99067	Lamp, (Threaded), 28V	50315
16	34-0070372-02	W11631	Reflector Lamp, 6.2V, 40W	70372

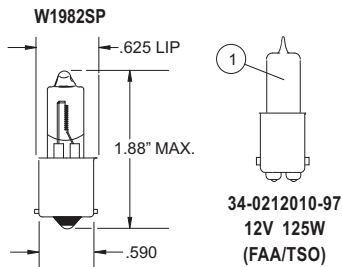


WHELEN REPLACEMENT:

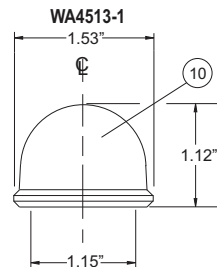
MOTOR ASSEMBLY



LAMPS



LENS



FLASH TUBES

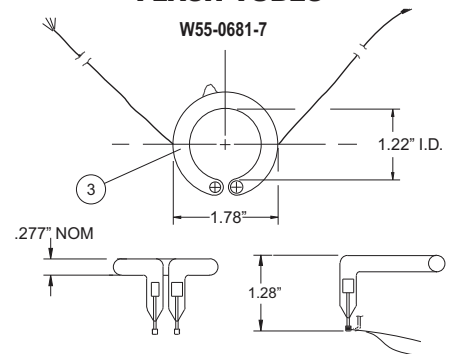
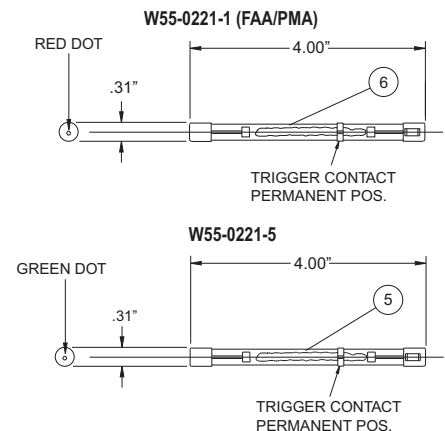


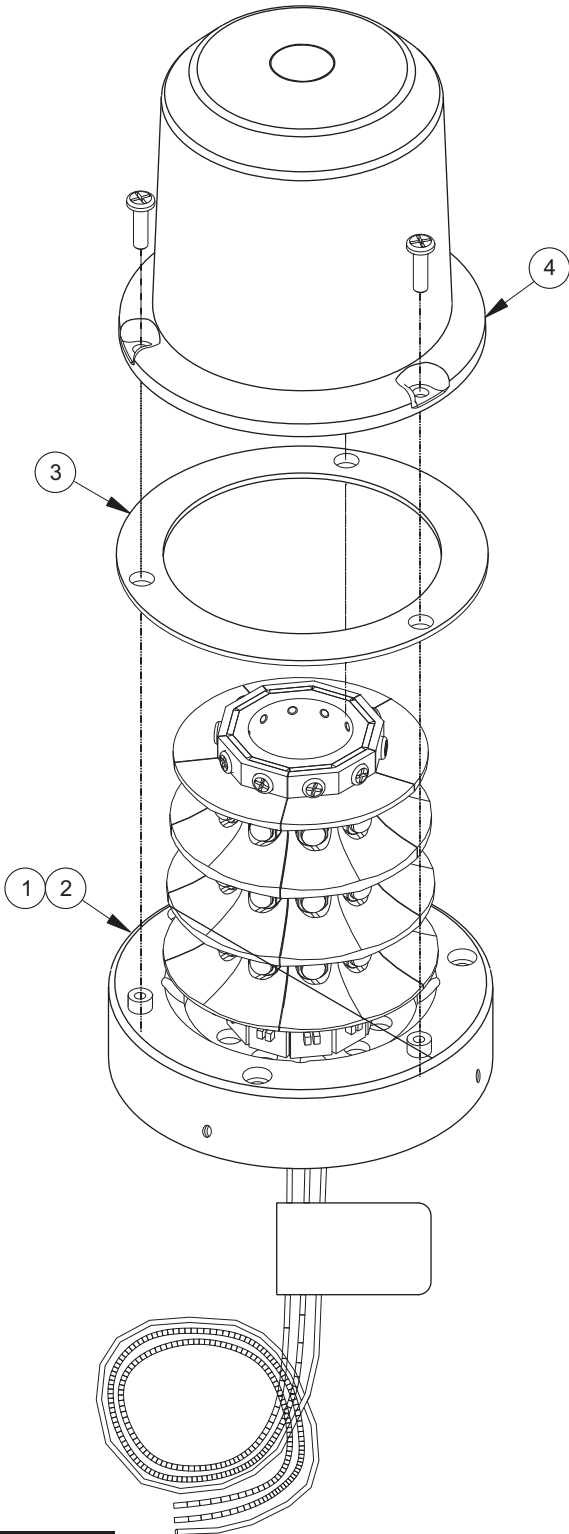
FIGURE 12

Item	Whelen P/N	Model No.	Description	Dwg. No.
—	—	—	—	—
—	34-0228030-85	*H35W28V	Lamp, (28V, 35W)	21332
1	34-0212010-97	12V, 125W	Lamp, (12V, 125W) D.C. Bayonet Base	50629
—	—	—	—	—
3	36-0170387-01	W5506817	Strobe Tube (Quartz)	—
—	—	—	—	—
5	36-0170384-02	W5502215	Strobe Tube (Quartz)	70384
6	36-0170384-01	W5502211	Strobe Tube (Pyrex)	70384
7	27-0270383-00	W5500691	Motor Assembly, 28V D.C.	70383
—	—	—	—	—
—	—	—	—	—
10	68-3670390-30	WA45131	Lens (Aviation White)	70390
11	34-0070403-00	W1982SP	Lamp, 28V, 75W	70403



NOT SHOWN

MODEL 70900 Series
LED Anti-Collision Light Assembly
Fixed Wing LED Beacon



MODEL 71055 Series
LED Beacon Anti-Collision
Light Assembly

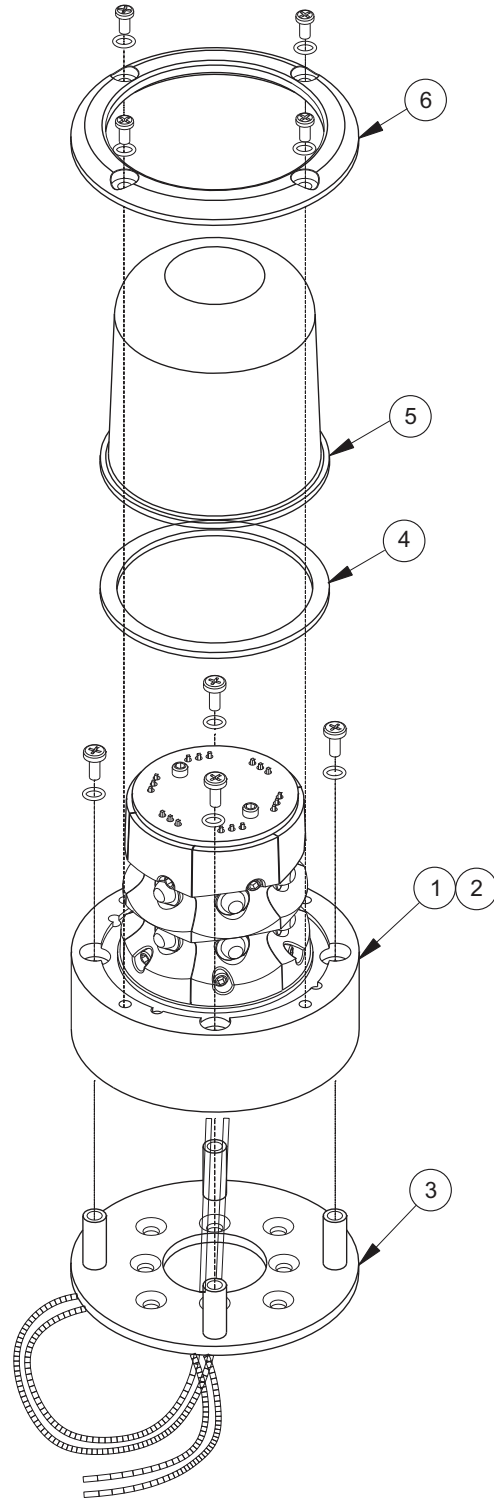


FIGURE 13

Item	Whelen P/N	Model No.	Description
1	01-0270918-01	7091801	LED Module, 10 Sided (14V), used on 70900
2	01-0270918-03	7091803	LED Module, used on 70900, 28V
3	38-0250843-00	5084300	Gasket, Lens, used on 70905 & 70900 Series LED Beacon
4	68-4990257-30	9025730	Lens, Clear, used on 70905 & 70900 Series LED Beacons

FIGURE 14

Item	Whelen P/N	Model No.	Description
1	01-0271057-00	7105700	LED Module, 6 Sided (14V), used on 71057
2	01-0271057-01	7105701	LED Module, 6 Sided (28V), used on 71057
3	07-771051-100	71051100	Adapter Plate Model 71055 Series, 4 Hole
4	38-0250885-00	5088500	Gasket, Lens Model 71055 Series
5	68-4971046-30	7104630	Lens, Clear Model 71055 Series
6	19-171047-100	71047100	Lens Retainer, used on 71055

MODEL A730-1 & -5
Tail Flood Light Assembly

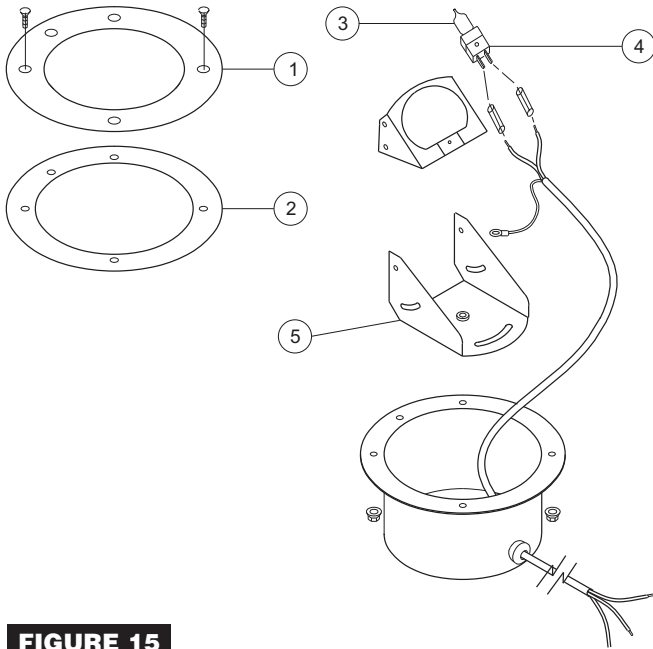


FIGURE 15

Item	Whelen P/N	Model No.	Description
1	02-0350204-00	A733	Lens Retainer Assembly, A730 Series
2	38-0250128-00	A734	Gasket, used on A730 Series
3	34-0228070-67	A70828	Lamp, 28V, 50W, Wedge Base
4	02-0350260-00	A507	Socket Assembly
5	07-270128-000	A737	Pivot Bracket

MODEL A360-()
Cabin Light Assembly

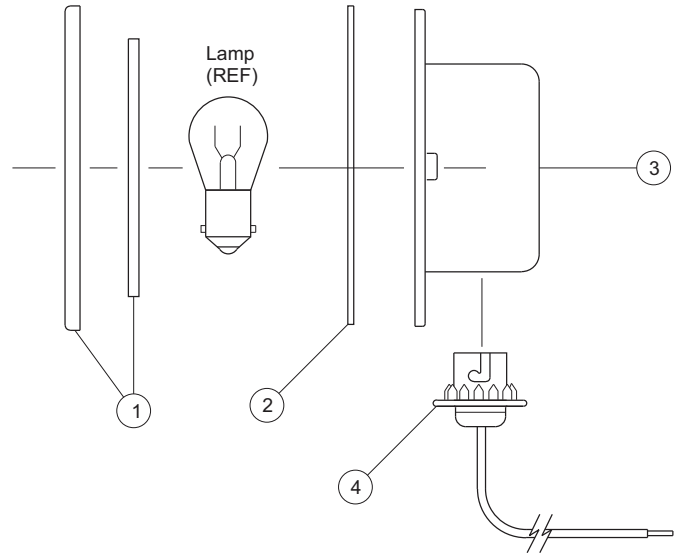


FIGURE 16

Item	Whelen P/N	Model No.	Description
1	02-0350291-00	N/A	Lens Retainer Assembly, used on A360
2	38-0250124-00	5012400	Gasket, used on A360 Series
3	11-470123-002	-	Reflector Housing (Assembly)
4	33-05330245-0	302450	Lamp Socket used on A360 Series

MODEL A715-1
Par-36 Landing and Taxi Light Assembly

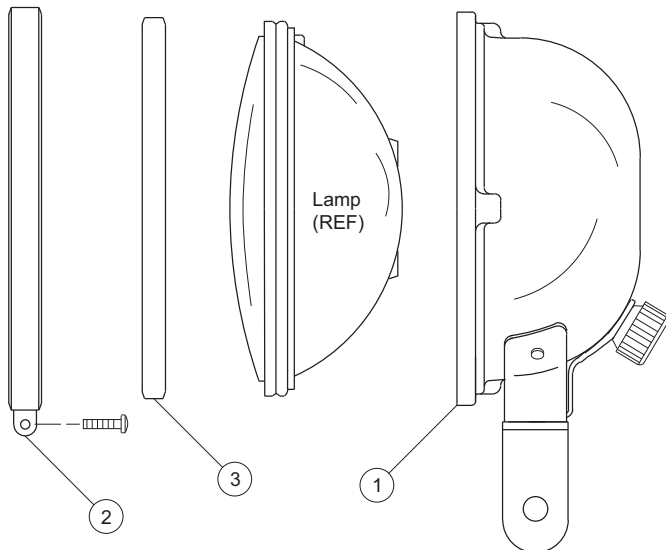


FIGURE 17

Item	Whelen P/N	Model No.	Description
1	02-0370139-00	7013900	A723 Lamp Housing Assy., A715-1
2	19-250147-000	50147000	Clamp Ring, PAR36
3	38-0240197-01	4019701	Gasket (Par 36)

MODEL 90093-()
Ice Detection Light Assembly

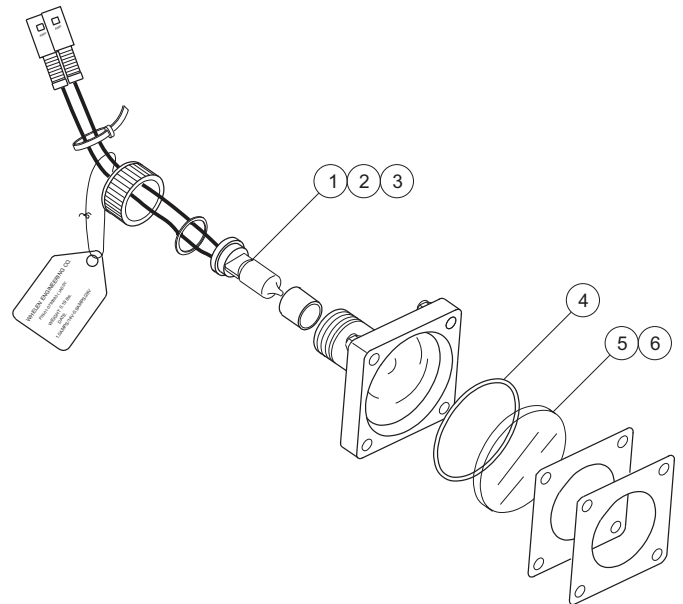


FIGURE 18

Item	Whelen P/N	Model No.	Description
1	02-0250325-00	5032500	Lamp Assembly (28V, 25W) used on 90093-00 & -02
2	02-0250325-01	N/A	Lamp Assembly (14V, 12W) 90093-01
3	02-0250325-02	N/A	Lamp Assembly (14V, 25W) 90093-03
4	38-0415624-00	-	O-Ring, 1.670 10 x .070 (70) DUR Silicone
5	68-3650324-30	-	Lens (Clear)
6	68-3650324-00	-	Lens (Frosted)

MODEL 70348
Post Light Assembly

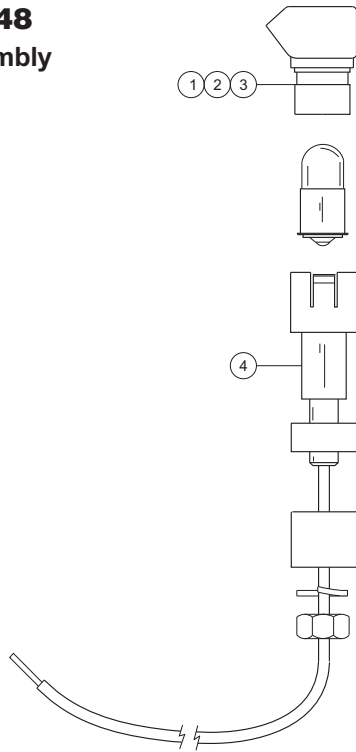


FIGURE 19

MODEL A450
Light Assembly

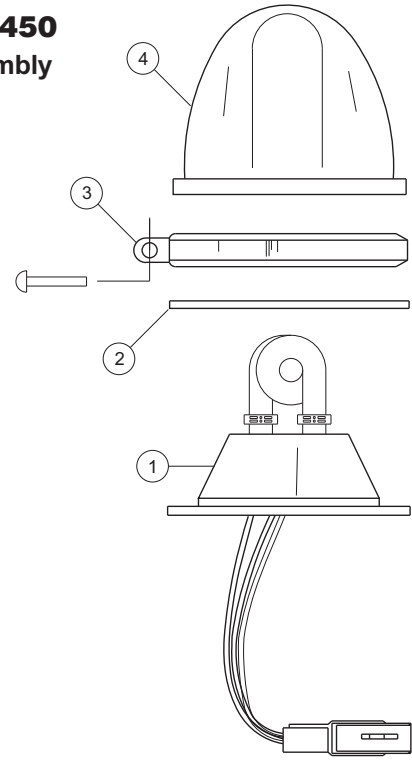
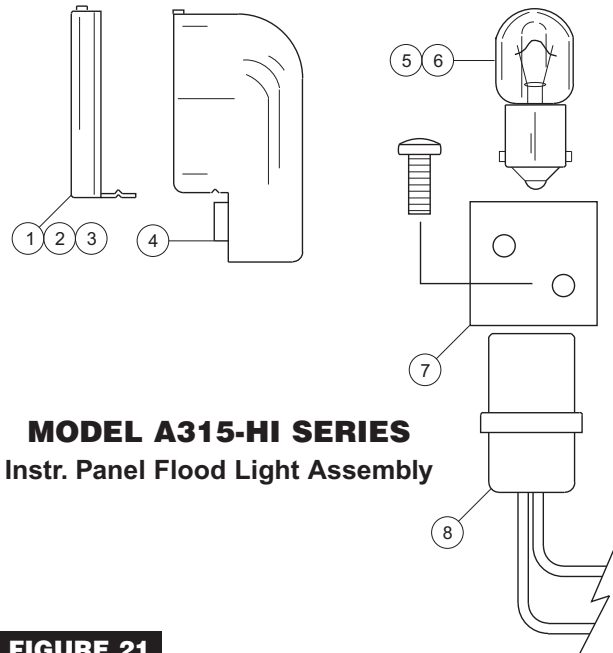


FIGURE 20

Item	Whelen P/N	Model No.	Description
1	02-0350281-00	A354IWBK	Post Light HD Assembly (Inst. White)
2	02-0350281-03	A354CLBK	Post Light HD Assembly (Clear)
3	02-0350281-06	A354RDBK	Post Light HD Assembly (Red)
4	02-0350300-00	5030000	Post Base Assembly

Item	Whelen P/N	Model No.	Description
1	02-0350053-00	SA406	Flash Tube Assembly
2	38-0230946-00	3094600	Gasket (Replaced SA418-1)
3	01-0450685-00	5068500	Clamp Ring Assembly (Nylon)
4	S68-4230044-30	SA402	Lens, Clear Glass



MODEL A315-HI SERIES
Instr. Panel Flood Light Assembly

FIGURE 21

MODEL 90029
Light Assembly

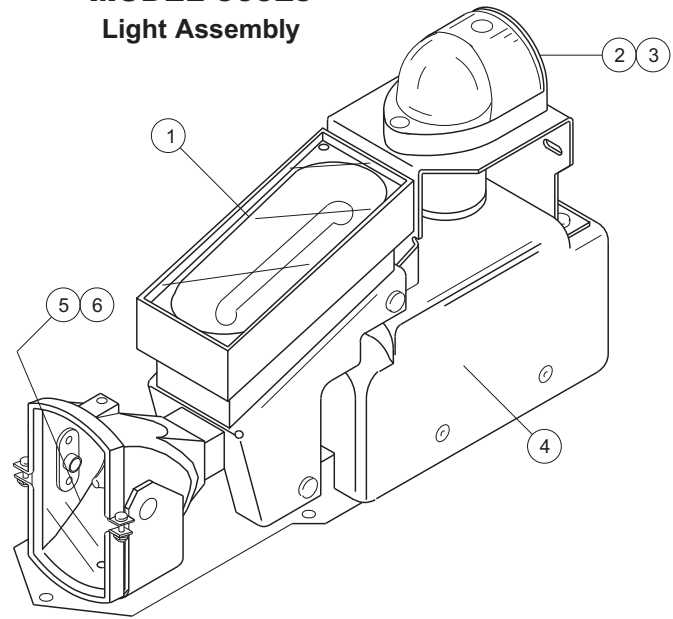
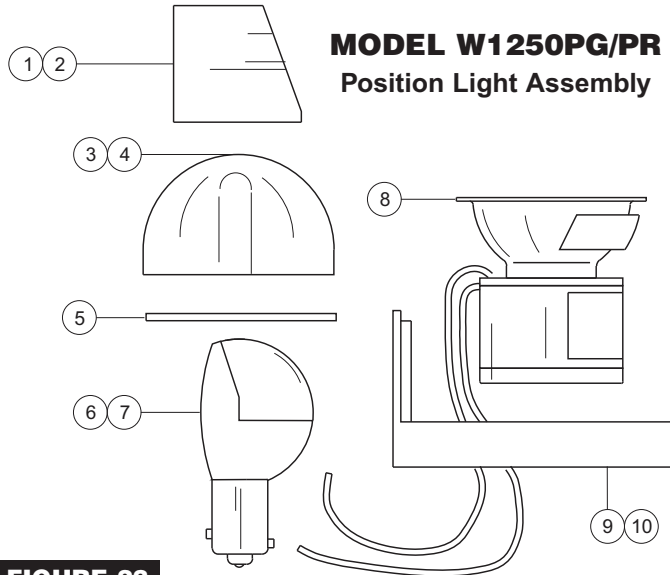


FIGURE 22

Item	Whelen P/N	Model No.	Description
1	02-0330382-00	N/A	Red Lens/Retainer Assembly, used on A315 HI & LO
2	02-0330382-01	N/A	Clear Lens/Retainer Assembly, used on A315 HI & LO
3	02-0330382-02	N/A	Blue Lens/Retainer Assembly, used on A315 HI & LO
4	68-5150114-01	A312	Hood, Cover (A312)
5	34-0414020-54	1414	Lamp, (GE #1414)
6	34-0428020-55	1495	Lamp, (GE #1495)
7	07-230231-001	30231001	Mounting Bracket, A315-HI Series
8	02-0350196-00	-	Lamp Socket Assembly

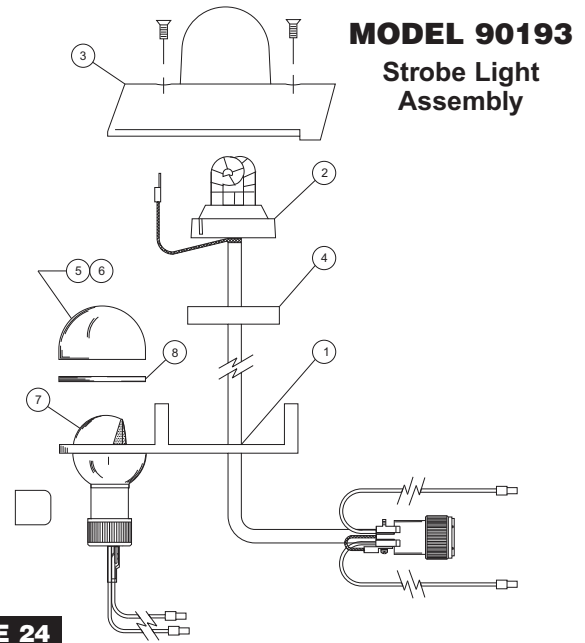
Item	Whelen P/N	Model No.	Description
1	01-0790028-01	9002801	Strobe Tube Assembly (Painted)
2	01-0770082-03	W1250PG2	Position Light Assembly 28V Green
3	01-0770082-01	W1250PR2	Position Light Assembly 28V Red
4	01-0790120-00	9012000	Sub Assembly - Power Supply
5	01-0770453-00	7045300	Recognition Light
6	01-0770453-01	7045301	Recognition Light (White)



MODEL W1250PG/PR
Position Light Assembly

FIGURE 23

Item	Whelen P/N	Model No.	Description
1	19-150089-001	W1252	Retainer (Natural) W1250 Series
2	19-150089-108	W1252B	Retainer (Black) W1250 Series
3	68-4230020-40	W1284G	Lens, Green Position Light
4	68-4230020-50	W1284R	Lens, Red Position Light
5	38-0230021-00	W1283	Gasket, Position Light Lens, W-1283/W-1285/A650
6	34-0414020-65	W129014	Reflector Lamp, 14V, 26W
7	34-0428020-65	W129028	Lamp, Reflector 28V, 26W (W1290-28)
8	02-0350102-00	W126012	Lamp Socket Assembly
9	54-590021-000	W1251	Base Plate (White)
10	54-690021-000	W1251B	Base Plate (Black)



MODEL 90193
Strobe Light Assembly

FIGURE 24

Item	Whelen P/N	Model No.	Description
1	02-0350665-00	5066500	Base Plate Assembly, 90193 Wingtip Light
2	36-0050652-00	5065200	Flash Tube Assembly (JPATS)
3	02-0350667-35	5066735	Lens Retainer Assembly, 90193
4	38-0130878-00	3087800	Gasket (90193 Strobe Tube)
5	68-4230020-40	W1284G	Lens, Green Position Light
6	68-4230020-50	W1284R	Lens, Red Position Light
7	34-0428020-65	W129028	Lamp, Reflector 28V, 26W (W1290-28)
8	38-0230021-00	W1283	Gasket, Position Light Lens, W-1283/W-1285/A650

**MODEL A350 &
MODEL A350, CN**
Instr. Post Light Assembly

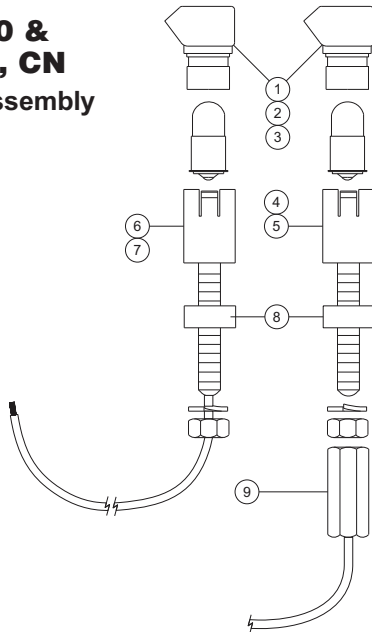


FIGURE 25

Item	Whelen P/N	Model No.	Description
1	02-0350281-03	A354CLBK	Post Light HD Assembly (Clear)
2	02-0350281-00	A354IWBK	Post Light HD Assembly (Inst. White)
3	02-0350281-06	A354RDBK	Post Light HD Assembly (Red)
4	02-0350282-01	5028201	Base Assembly 1-1/2"
5	02-0350282-00	5028200	Base Assembly 1"
6	02-0370534-02	7053402	Base Assembly Post Light 1-1/2"
7	02-0370534-00	7053400	Base Assembly 1"
8	20-0824130A00	A359	Spacer, (.125" Thick)
9	02-0350183-00	A343	Connector Nut Assembly

MODEL 90095
Par-46 Landing Light Assembly

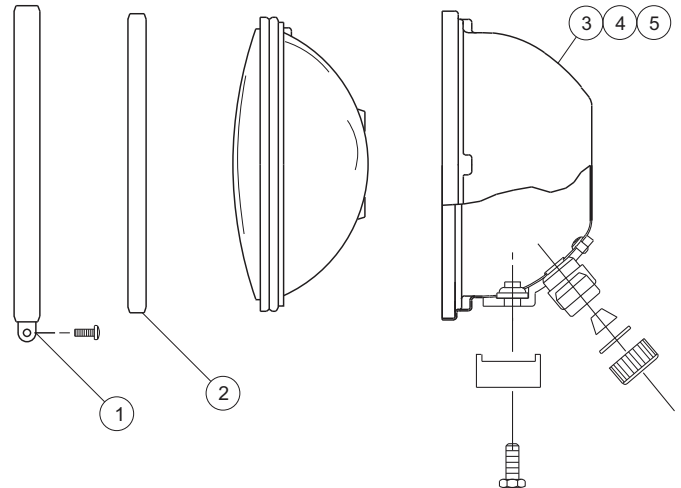


FIGURE 26

Item	Whelen P/N	Model No.	Description
1	19-270407-000	70407000	Clamp Ring, PAR46
2	38-0240063-00	4006300	Gasket (Par 46)
3	02-0370691-00	7069100	Housing Assy., Model 90095-6 & -7
4	02-0370483-00	7048300	Housing Assembly, 90095-02 & -04
5	02-0370484-00	N/A	Housing Assembly (-03 & -05)

MODEL A600
Anti-Collision Light Assembly

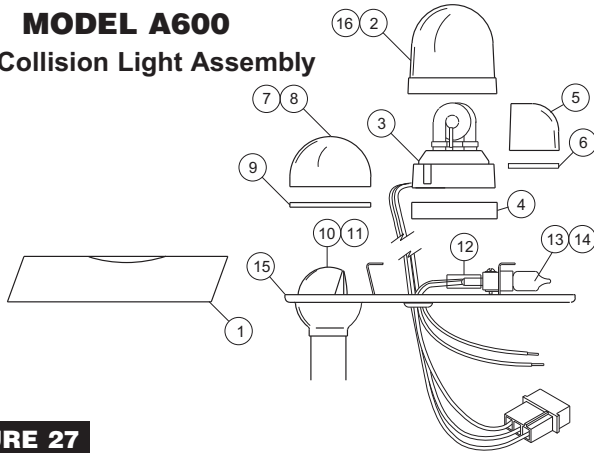


FIGURE 27

Item	Whelen P/N	Model No.	Description
1	19-170049-009	A606	Lens Retainer, used on A600 Series
2	68-2290005-30	A612	Lens, Clear
3	02-0250276-00	A610	Strobe Tube Assembly
4	38-0130107-00	A4274	Gasket, A427-4 1/4" Thick Spacer
5	68-4250066-30	A615	Lens, Clear, used on A600 Taillight
6	38-0130090-00	A616	Gasket/Spacer for A615 Lens
7	68-4230020-40	W1284G	Lens, Green Position Light
8	68-4230020-50	W1284R	Lens, Red Position Light
9	38-0230021-00	W1283	Gasket, Position Light Lens, W-1283/W-1285/A650
10	34-0414020-65	W129014	Reflector Lamp, 14V, 26W
11	34-0428020-65	W129028	Lamp, Reflector 28V, 26W (W1290-28)
12	02-0350260-00	A507	Socket Assembly
13	34-0412070-63	A50814	Lamp 14V 25W
14	34-0428070-64	A50828	Lamp 28V 25W (A508-28)
15	02-0350259-00	A605	Base Plate Assembly, A600 Series
16	68-2290005-34	A612C	Lens, Clear/Coated A612 (RFI Shielded)

MODEL A650 PG/PR
Strobe Light Assembly

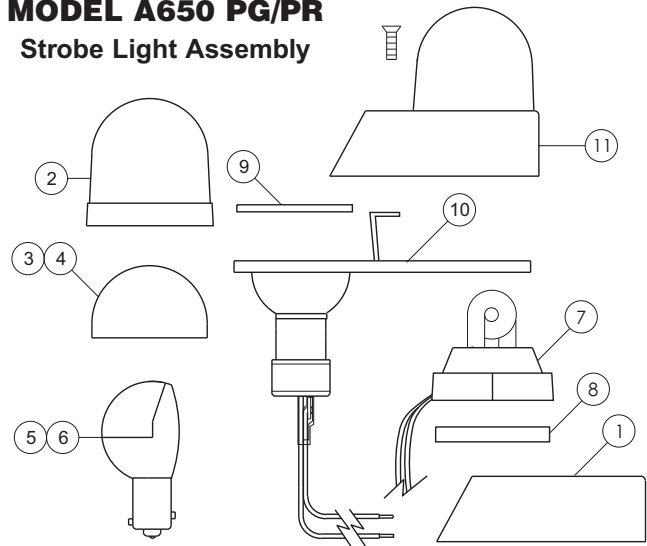


FIGURE 28

Item	Whelen P/N	Model No.	Description
1	19-170052-009	A626	Lens Retainer, used on A650 Series
2	68-2290005-30	A612	Lens
3	68-4230020-40	W1284G	Lens, Green Position Light
4	68-4230020-50	W1284R	Lens, Red Position Light
5	34-0414020-65	W129014	Reflector Lamp, 14V, 26W
6	34-0428020-65	W129028	Lamp, Reflector 28V, 26W (W1290-28)
7	02-0250276-00	A610	Strobe Tube Assembly
8	38-0130106-00	A4273	Spacer
9	38-0230021-00	W1283	Gasket, Position Light Lens, W-1283/W-1285/A650
10	02-0350003-01	W12852	Position Light Base Assembly
11	68-2290005-34	A612C	Lens, Clear/Coated A612 (RFI Shielded)

MODEL W1285
Position Light Assembly

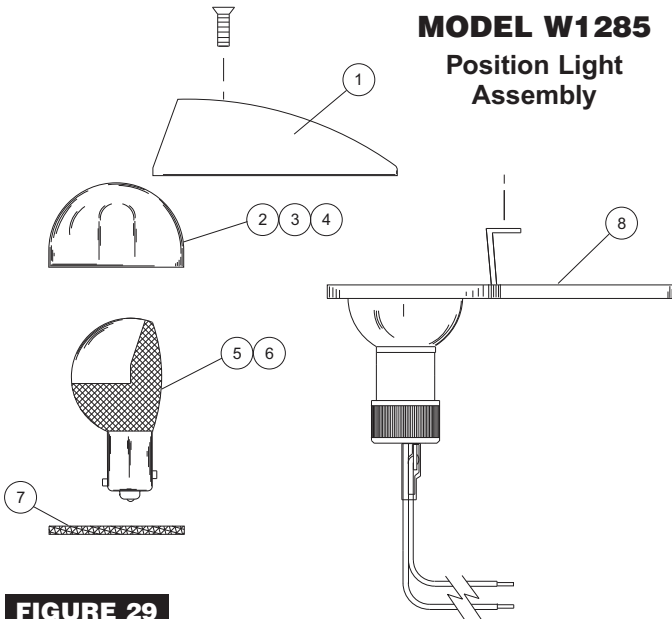


FIGURE 29

Item	Whelen P/N	Model No.	Description
1	19-150002-009	W1282	Lens Retainer, used on W1285 Series
2	68-4230020-30	W1284C	Lens, Clear
3	68-4230020-40	W1284G	Lens, Green Position Light
4	68-4230020-50	W1284R	Lens, Red Position Light
5	34-0414020-65	W129014	Reflector Lamp, 14V, 26W
6	34-0428020-65	W129028	Lamp, Reflector 28V, 26W (W1290-28)
7	38-0230021-00	W1283	Gasket, Position Light Lens, W-1283/W-1285/A650
8	02-0350003-01	W12852	Position Light Base Assembly

MODEL A429, PG & PR
Strobe Light Assembly

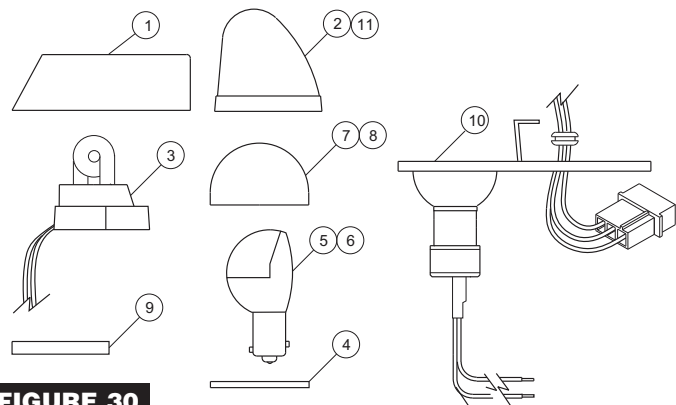


FIGURE 30

Item	Whelen P/N	Model No.	Description
1	19-190000-009	A426	Lens Retainer
2	68-4290001-30	A428	Wing Tip Lens For A427
3	02-0250274-00	A427	Strobe Tube Assembly
4	38-0230021-00	W1283	Gasket, Position Light Lens, W-1283/W-1285/A650
5	34-0414020-65	W129014	Reflector Lamp, 14V, 26W
6	34-0428020-65	W129028	Lamp, Reflector 28V, 26W (W1290-28)
7	68-4230020-40	W1284G	Lens, Green Position Light
8	68-4230020-50	W1284R	Lens, Red Position Light
9	38-0130106-00	A4273	Spacer
10	02-0350003-01	W12852	Position Light Base Assembly
11	02-0350033-00	A428C	Lens, Clear, RFI Shielded
12	68-4290001-34	A428C1	Lens, RFI Coated

MODEL A430
Strobe Light Head Assembly

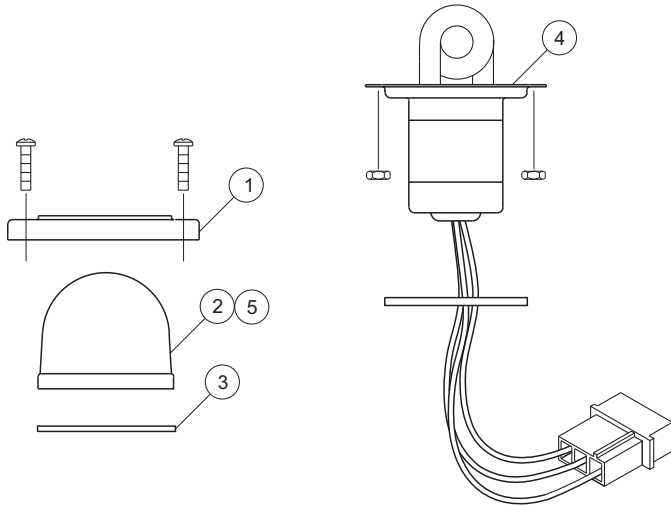


FIGURE 31

Item	Whelen P/N	Model No.	Description
1	A19-130000-100	A425	Lens Retainer, Model A430 Series
2	68-4270002-30	A457A	Lens, White
3	38-0230002-00	A455	Gasket For A430
4	02-0350054-00	A435	Flash Tube Assembly For A430
5	68-4270002-34	A457AC	Lens, RFI Coated

MODEL A625, A625-D
Strobe Light Assembly

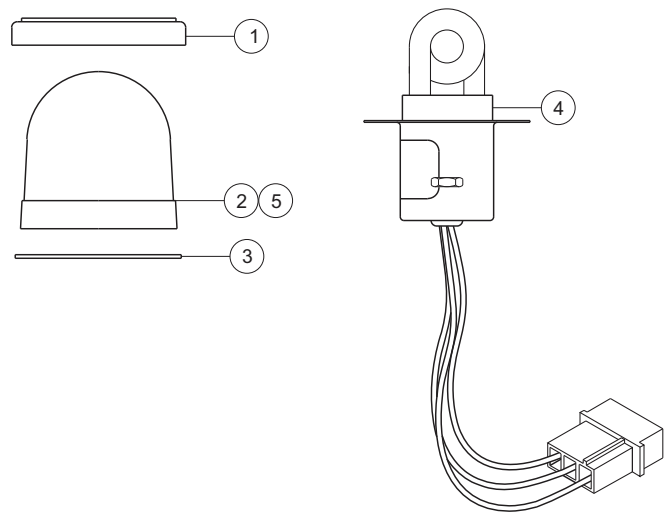


FIGURE 32

Item	Whelen P/N	Model No.	Description
1	19-170057-009	A628	Lens Retainer, used on A625 Series
2	68-2290005-30	A612	Lens, Clear
3	38-0250074-00	A629	Lens Gasket, used on A625 Series
4	02-0370338-00	A627	Flash Tube Assy., used on A625 Series
5	68-2290005-34	A612C	Lens, Clear/Coated A612 (RFI Shielded)

MODEL A555A
Taillight Assembly

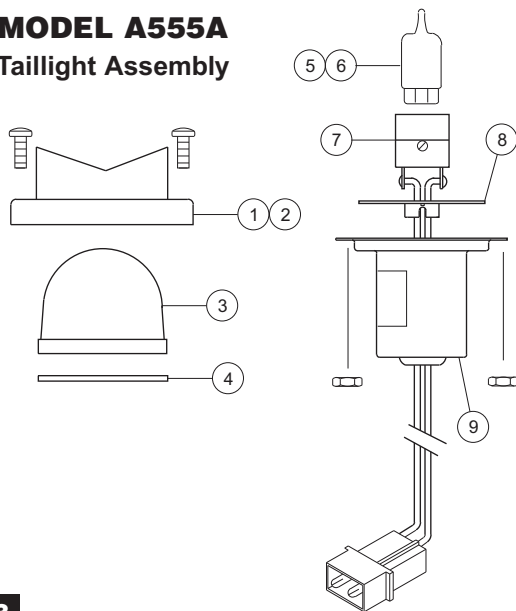


FIGURE 33

Item	Whelen P/N	Model No.	Description
1	19-0150350-01	A425AH	Lens Retainer, Horiz. Mount, used on A500A Series
2	19-0150350-02	A425AV	Lens Retainer, Vertical Mount, used on A500A Series
3	68-4270002-30	A457A	Lens, White
4	38-0230002-00	A455	Gasket For A430
5	34-0412070-63	A50814	Lamp 14V 25W
6	34-0428070-64	A50828	Lamp 28V 25W (A508-28)
7	02-0350260-00	A507	Socket Assembly
8	06-150058-001	A504	Disc for A555A
9	11-430005-100	A424	Housing for A555A

MODEL HRCFA
Strobe Light Assembly

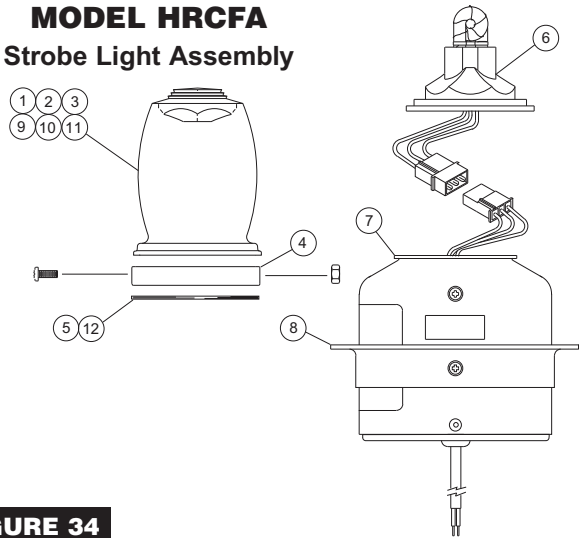


FIGURE 34

Item	Whelen P/N	Model No.	Description
1	68-2170504-50	A402AR	Lens Assembly Red
2	68-2170504-30	A402AW	Lens Assembly White
3	68-2170504-60	A402AS	Lens, Split Red/White
4	01-0450685-00	5068500	Clamp Ring
5	38-0230840-00	3084000	Gasket, 2.5" Diameter (.030 Thick)
6	01-0770044-02	A469B	Strobe Tube Assembly
7	01-0770619-00	HRCF200	Power Supply HR-CF 14/28V
8	19-130074-009	A440	Mounting Adapter, (Same as A440)
9	68-2170504R50	A402ADR	Lens, Red (RFI Shielded)
10	68-2170504R30	A402ADW	Lens, White (RFI Shielded)
11	68-2170504R60	A402ADS	Lens, Split Red/White (RFI Shielded)
12	38-0250429-00	A467A	Gasket, RFI Shielded

FIGURE 8

**Model 70818
Strobe Light Assembly**

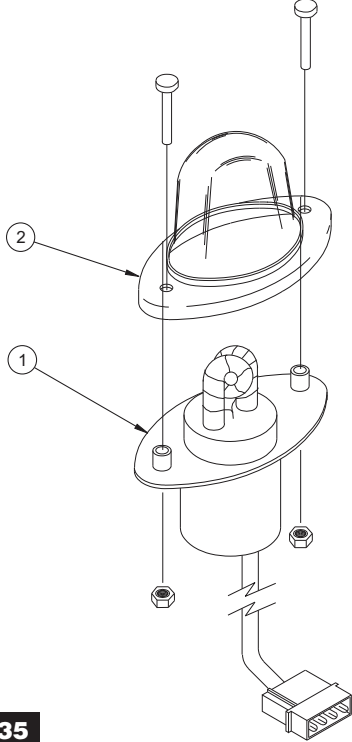


FIGURE 35

Item	Whelen P/N	Model No.	Description
1	02-0370828-00	7082800	Flash Tube Assembly, used on Model 70818 Series
2	02-0350804-00	5080400	Lens Retainer Assembly, 70818 Series

**Model 70821
Strobe Light Assembly**

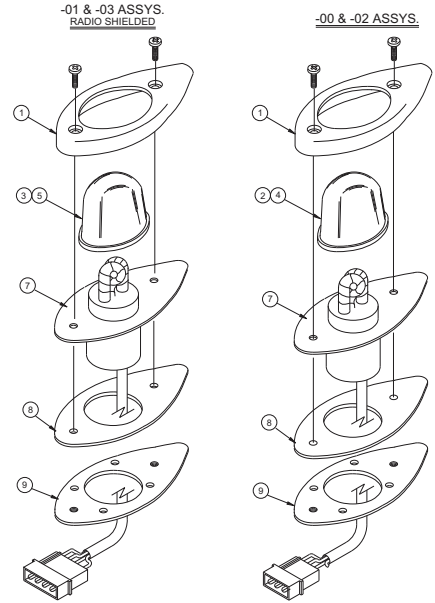


FIGURE 36

Item	Whelen P/N	Model No.	Description
1	19-170802-100	70802100	Lens Retainer, used on 7078600
2	68-2290005-30	A612	Lens, Clear
3	68-2290005-34	A612C	Lens, Clear/Coated A612 (RFI Shielded)
4	68-2290005-50	A612R	Lens, Aviation Red
5	68-2290005-54	A612RC	Lens, Aviation Red, RFI Coated
6	02-0370843-00	7084300	Flash Tube Assembly, used on Model 70821-00 & -02
7	02-0370843-01	7084301	Flash Tube Assembly, (RFI Shielded) used on 70821-01 & -03
8	38-0250800-00	5080000	Gasket, Mounting
9	06-150805-002	50805002	Mounting Adapter Plate, used on Model 70821

**7078600
Flasher Assembly**

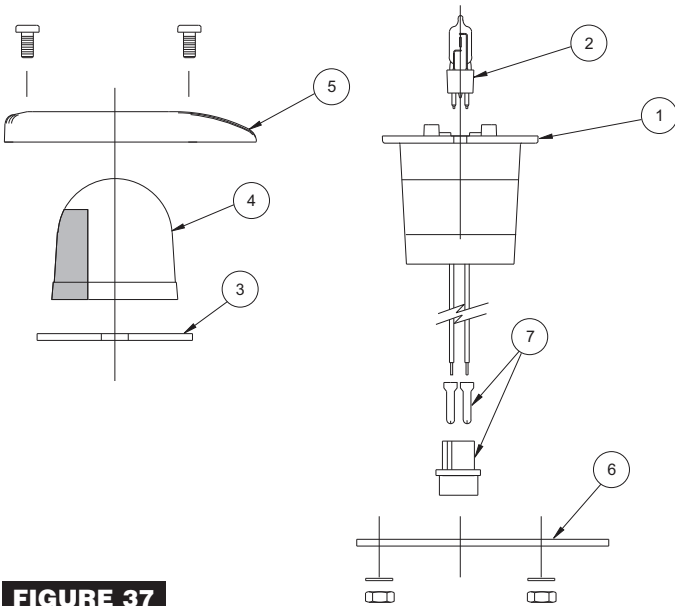


FIGURE 37

Item	Whelen P/N	Model No.	Description
1	02-0270791-01	7079101	Flasher/Base Assembly, 70786
2	34-0041987-02	4198702	Lamp, Snap-In 28V, 35W
3	38-0250761-00	5076100	Gasket, Lens, 70786 Series
4	68-0050630-51	5063051	Lens, Red Masked
5	19-170802-100	70802100	Lens Retainer, used on 7078600
6	38-0250781-00	5078100	Gasket, Base
7	02-0230007-00	A444	Amp (Connector Kit) 2 Position Male, with Pins

**Model 7078601
Flasher Assembly**

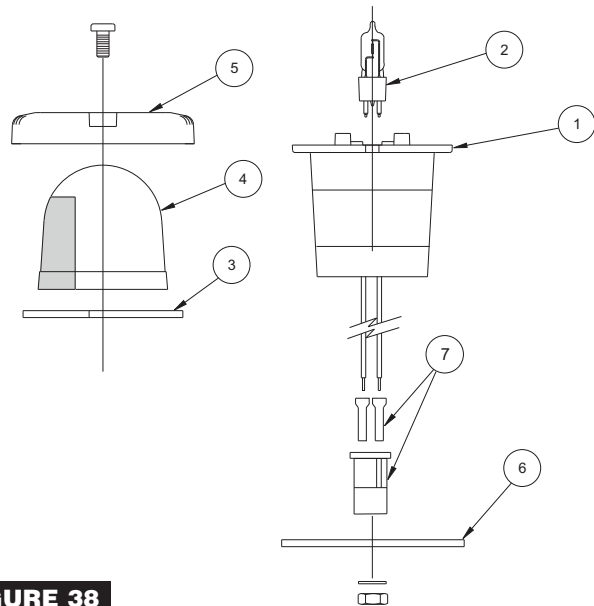
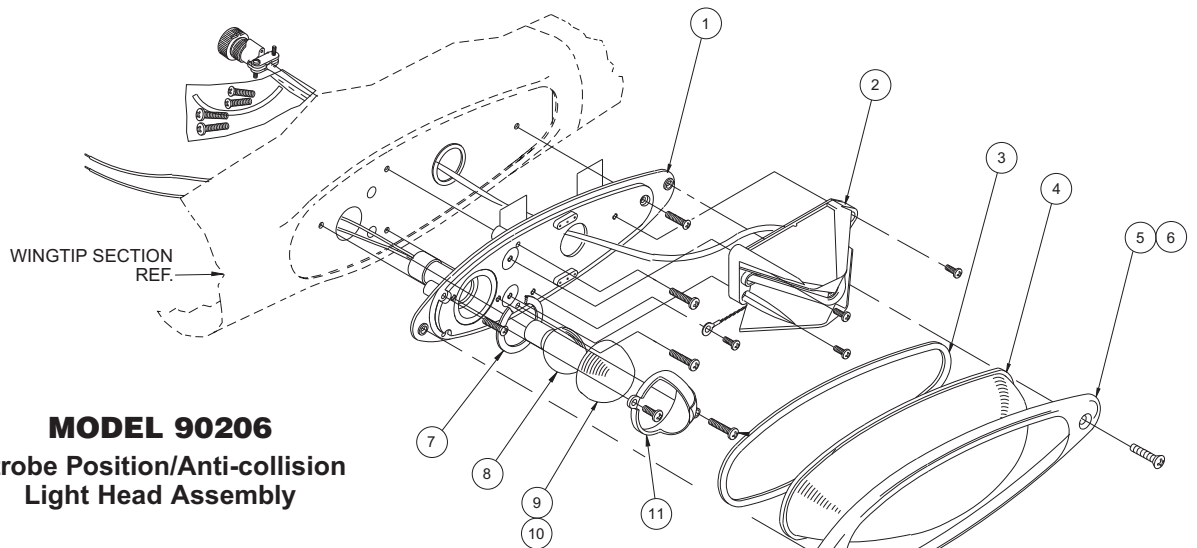


FIGURE 38

Item	Whelen P/N	Model No.	Description
1	02-0270791-01	7079101	Flasher/Base Assembly, 70786
2	34-0041987-02	4198702	Lamp, Snap-In 28V, 35W
3	38-0250761-00	5076100	Gasket, Lens, 70786 Series
4	68-0050630-51	5063051	Lens, Red Masked
5	19-170789-100	70789100	Retainer, Lens
6	38-0250762-00	5076200	Gasket, Mounting, used on 7078601
7	02-0230085-00	A446	Amp (Connector Kit) 2 Position Female, with Sockets



MODEL 90206
Strobe Position/Anti-collision
Light Head Assembly

FIGURE 39

Item	Whelen P/N	Model No.	Description
1	06-170737-000	70737000	Base Plate Assembly (Wing Tip Light) 90206 Series
2	02-0270603-00	7060300	Flash Tube Assembly (Wing Tip Light) 90159 & 90206
3	38-0270590-00	7059000	Gasket, Lens, 90159 & 90206 Series
4	68-4170665-34	7066534	Lens, Glass, (RFI Shielded) used on 90206 Series
5	19-190201-002	90201002	Lens Retainer, used on 90206 Series
6	19-190201-003	90201003	Retainer, Glass Lens - Polished
7	38-0230021-00	W1283	Gasket, Position Light Lens, W-1283/W-1285/A650
8	34-0428020-65	W129028	Lamp, Reflector 28V, 26W (W1290-28)
9	68-4230020-40	W1284G	Lens, Green Position Light
10	68-4230020-50	W1284R	Lens, Red Position Light
11	11-270587-001	70587001	Lens Retainer (Position Light) 90159 & 90206 Series

Model SA Series
Strobe Light Assembly

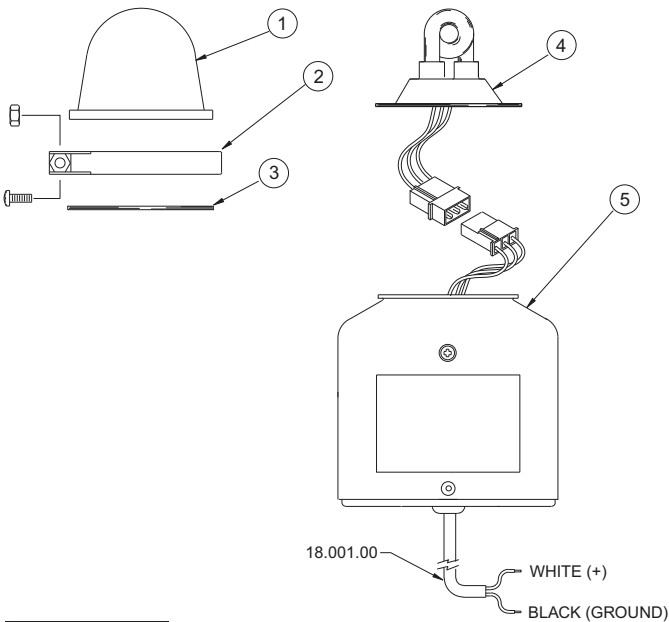


FIGURE 40

Item	Whelen P/N	Model No.	Description
1	68-4230044-30	SA402	Lens, Clear Glass
2	01-0450685-00	5068500	Clamp Ring Assembly (Nylon)
3	38-0230946-00	3094600	Gasket (Replaced SA418-1)
4	02-0350053-00	SA406	Flash Tube Assembly
5	01-0770619-00	HRCF200	Power Supply HR-CF 14/28V

MODEL 70285
Strobe Light Assembly

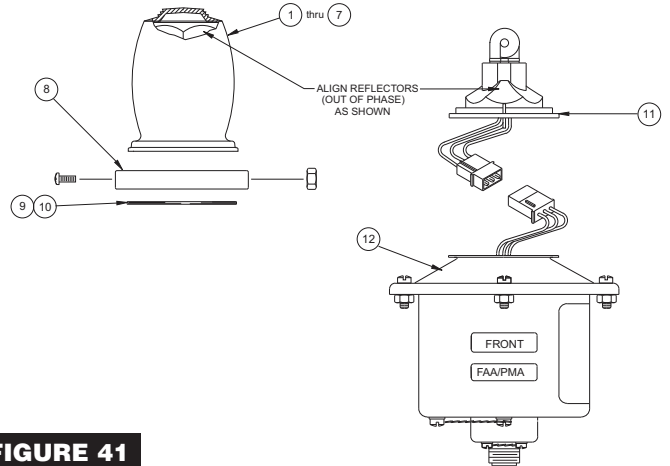


FIGURE 41

Item	Whelen P/N	Model No.	Description
1	68-2170504-50	A402AR	Lens Assembly Red
2	68-2170504R50	A402ADR	Lens, Red (RFI Shielded)
3	68-2150454-52	5045452	Lens, Red - Shielded, Mask
4	68-2170504-30	A402AW	Lens Assembly White
5	68-2170504-60	A402AS	Lens, Split Red/White
6	68-2150449-52	5044952	Lens, Red - Shielded, Mask
7	68-2170504R60	A402ADS	Lens, Split Red/White (RFI Shielded)
8	01-0450685-00	5068500	Clamp Ring Assembly (Nylon)
9	38-0250429-00	A467A	Gasket, RFI Shielded
10	38-0230840-00	3084000	Gasket, 2.5" Diameter (.030 Thick)
11	01-0770044-02	469B	Strobe Tube Assembly
12	01-0270788-00	7078800	Power Supply Assy. for 70285 Series

**Model 70844()
LED Post Light**

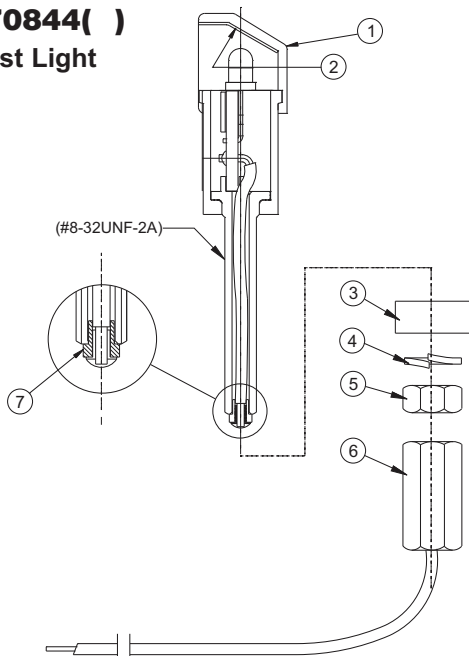


FIGURE 42

Item	Whelen P/N	Model No.	Description
1	11-470807-000	7080700	Hood, LED Post Light
2	68-5930998-01	3099801	Reflector, LED Post Light
3	20-0824130A00	A359	Spacer, (.125" Thick)
4	16-0831010-02	3101002	Washer, Split Lock - #8
5	13-082130-040	82130040	Nut, Hex - #8-32 x 1/4" Brass
6	02-0350183-00	A343	Connector Nut Assembly
7	22-0430239-00	A344	Insulator

**Model 70875 Series
LED Forward
Position Light**

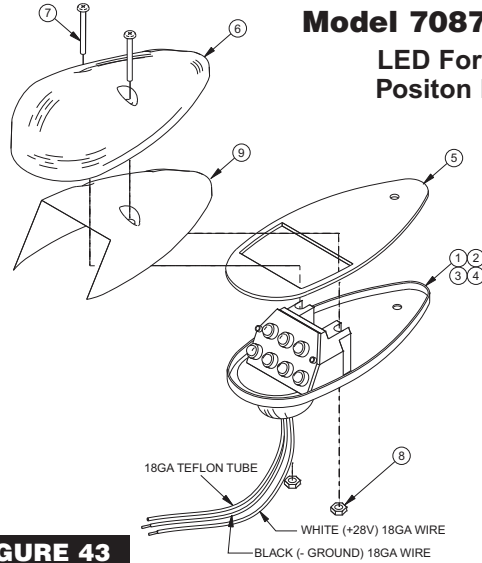


FIGURE 43

Item	Whelen P/N	Model No.	Description
1	01-0270880-01	7088001	LED Sub-Assembly, Green, 28V, used on 70875 Series
2	01-0270880-02	7088002	LED Sub-Assembly, Red, 28V, used on 70875 Series
3	01-0270880-03	7088003	Sub Assembly, LED, Green, 28V (Shrouded)
4	01-0270880-04	7088004	Sub Assembly, LED, Red, 28V (Shrouded)
5	38-0150838-00	5083800	Gasket, Lens, used on 70875 Series LED Position Light
6	68-3970873-30	7087330	Lens, Clear, used on 70875 Series LED Position Light
7	14-0050503-35	5050335	Screw, 6-32 x 1-1/4" PPHMS MS51957-35
8	13-0050513-64	5051364	Nut, 6-32 Hex, SS, MS35649-264
9	11-670912-001	70912001	Shroud, Masking, used on 70875 Series LED Position Light

**Model 70946
Series
LED Forward
Position Light**

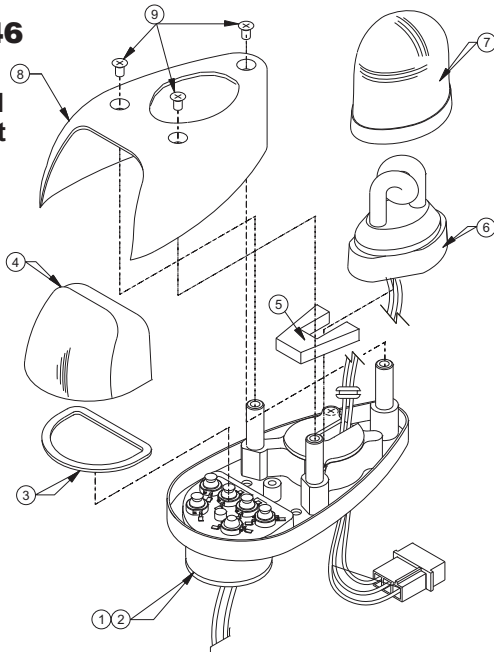


FIGURE 44

Item	Whelen P/N	Model No.	Description
1	01-0270972-01	7097201	Module Assembly, Forward Position Light (Green)
2	01-0270972-02	7097202	Module Assembly, Forward Position Light (Red)
3	38-0250883-00	5088300	Gasket, Lens Model 70946
4	68-2270911-31	7091131	Lens, Clear Glass Metallized
5	38-0130107-00	A4274	Gasket, A427-4 1/4" Thick Spacer
6	36-0050626-01	5062601	Assembly, Flashtube 6" Leads with Grommet
7	68-2290005-34	A612C	Lens, Clear/Coated A612 (RFI Shielded)
8	19-170927-009	7092700	Retainer, Lens Wingtip Strobe Finished/Complete

**Model 71105()
Position Light 28V**

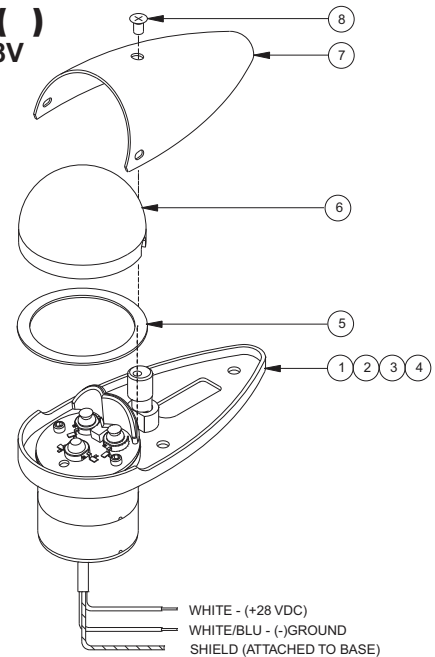


FIGURE 45

Item	Whelen P/N	Model No.	Description
1	01-0271134-01	7113401	Assembly, Position Light, 14V, Green, 71105 Series
2	01-0271134-02	7113402	Assembly, Position Light, 14V, Red, 71105 Series
3	01-0271134-03	7113403	Assembly, Position Light, 28V, Green, 71105 Series
4	01-0271134-04	7113404	Assembly, Position Light, 28V, Red 71105 Series
5	38-0230021-00	W1283	Gasket, Position Light Lens, W-1283/W-1285/A650
6	68-3950902A30	5090230	Lens, Clear Forward Position Light Hardcoat
7	19-150002-010	5000201	Retainer, Forward Position Lens, Clear, Iridite
8	14-0050508-27	5050827	Screw, 6-32 x 5/16" PPHMS CSNK MS51959-27

Model 71125 Series
FINAL ASSEMBLY

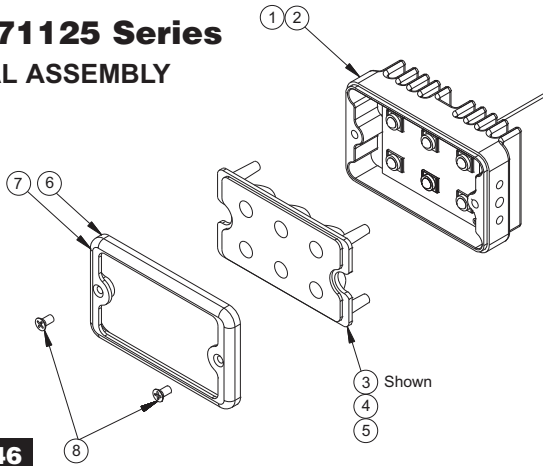


FIGURE 46

Item	Whelen P/N	Model No.	Description
1	02-016A416-00	6A41600	Base and Electronic Assembly, 14V
2	02-0164720-00	6472000	Base and Electronic Assembly, 28V
3	68-5971136-00	7113600	Reflector, Clear Optic TIR 2"x 3" 10 Degree
4	68-5971199-00	7119900	Reflector, Clear Optic TIR 2"x 3" 20 Degree
5	68-5971277-00	7127700	Reflector, Clear Optic TIR 2"x 3" 30 Degree
6	68-3971198-30	7119830	Lens, Clear 2"x 3" 90 Degree
7	11-471138-100	71138100	Bezel, TIR Reflector 2"x 3" Optic
8	14-0050581-04	5058104	4-40 x 3/8" 110 CSK PFH
-	01-0418045-00	RECLENS	Kit, Lens 20/30/90 Degree Optics for 7112510 & 20

MODEL 90377()
POSITION LIGHT

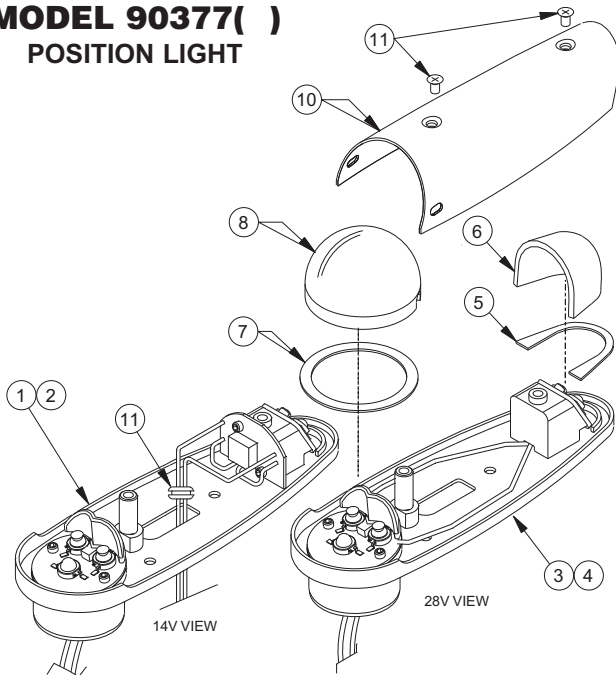


FIGURE 48

Item	Whelen P/N	Model No.	Description
1	01-0290378-01	9037801	Assembly, Position Light, Green (14V)
2	01-0290378-02	9037802	Assembly, Position Light, Red (14V)
3	01-0290378-03	9037803	Assembly, Position Light, Green (28V)
4	01-0290378-04	9037804	Assembly, Position Light, Red (28V)
5	38-0250901-00	5090100	Gasket, Tail Position Light, Model 90340
6	68-3950903A30	5090330	Lens, Clear Tail Position Light, Hardcoat
7	38-0230021-01	3002101	Gasket, Position Light, Split
8	68-3950902A30	5090230	Lens, Clear Forward Position Light, Hardcoat
9	21-11061002-1	610021	Grommet, Split, 3/16" ID
10	19-170050-010	7005001	Retainer
11	14-0050508-27	5050827	Screw, 6-32 x 5/16" PFHMS CSNK MS51959-27

MODEL 90340()
ANTI-COLLISION/POSITION ASSEMBLY

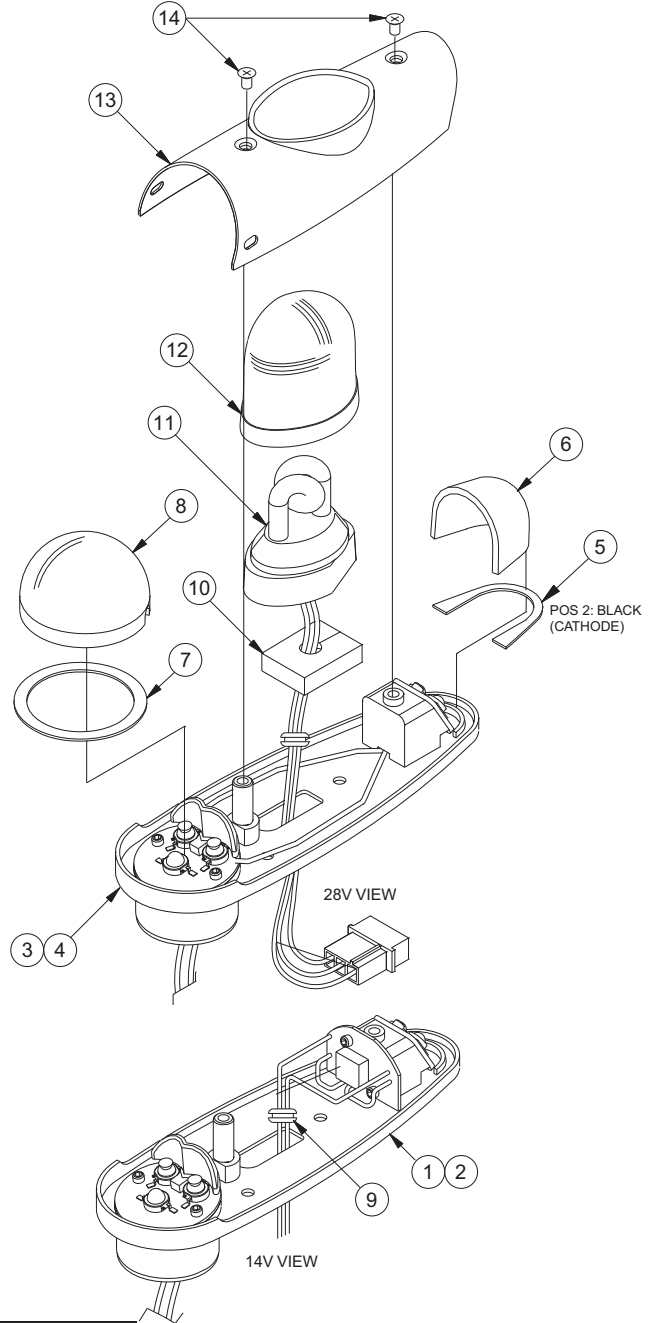


FIGURE 47

Item	Whelen P/N	Model No.	Description
1	01-0290338-01	9033801	Assembly, Anti-Collision/Position Light, Green (14V)
2	01-0290338-02	9033802	Assembly, Anti-Collision/Position Light, Red (14V)
3	01-0290338-03	9033803	Assembly, Anti-Collision/Position Light, Green (28V)
4	01-0290338-04	9033804	Assembly, Anti-Collision/Position Light, Red (28V)
5	38-0250901-00	5090100	Gasket, Tail Position Light, Model 90340
6	68-3950903A30	5090330	Lens, Clear Tail Position Light, Hardcoat
7	38-0230021-01	3002101	Gasket, Position Light, Split
8	68-3950902A30	5090230	Lens, Clear Forward Position Light, Hardcoat
9	21-11061002-1	610021	Grommet, Split, 3/16" ID
10	38-0130878-01	3087801	Gasket, Flashtube, A600 (.375)
11	36-0050626-01	5062601	Assembly, Flashtube 6" Leads with Grommet
12	68-2290005-34	A612C	Lens, Clear/Coated A612 (RFI Shielded)
13	19-170049-010	7004901	Retainer, A600 Lens, Complete
14	14-0050508-27	5050827	Screw, 6-32 x 5/16" PFHMS CSNK MS51959-27

**MODEL 71080 SERIES
LED ANTI-COLLISION LIGHT**

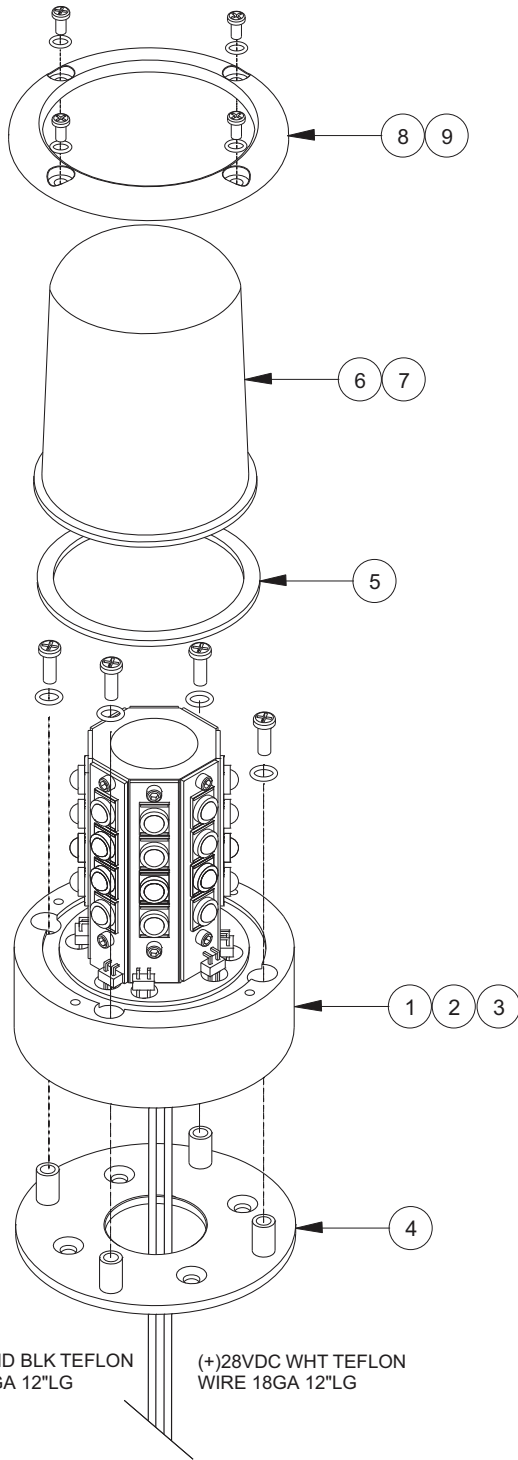


FIGURE 49

Item	Whelen P/N	Model No.	Description
1	01-0271085-00	7108500	Assembly, 28V, LED Anti-Collision Light, Black Base
2	01-0271085-20	7108520	Assembly, 28V, LED Anti-Collision Light, Natural Base
3	01-0271085-50	7108550	Assembly, 14V, LED Anti-Collision Light, Black Base
4	07-771051-100	71051100	Adapter Plate, Model 71055 Series, 4 Hole
5	38-0250885-00	5088500	Gasket, Lens, Model 71055 Series
6	68-4971082A30	7108230	Lens, Clear, LED Anti-Collision, Hardcoat
7	68-4971082A31	7108231	Lens, Clear, LED Anti-Collision, Hardcoat with Drain
8	19-171047-200	71047200	Retainer, Lens, Black Anodize Complete
9	19-171047-100	71047100	Lens Retainer, used on 71055

**MODEL 71110 SERIES
FINAL ASSEMBLY**

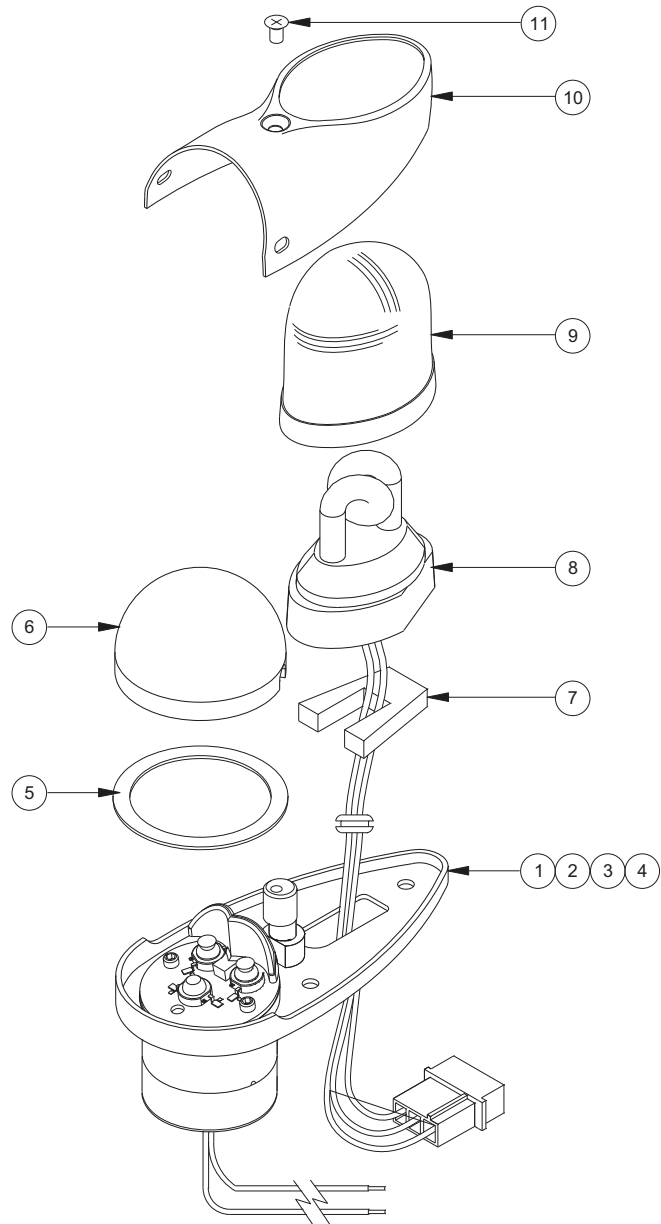
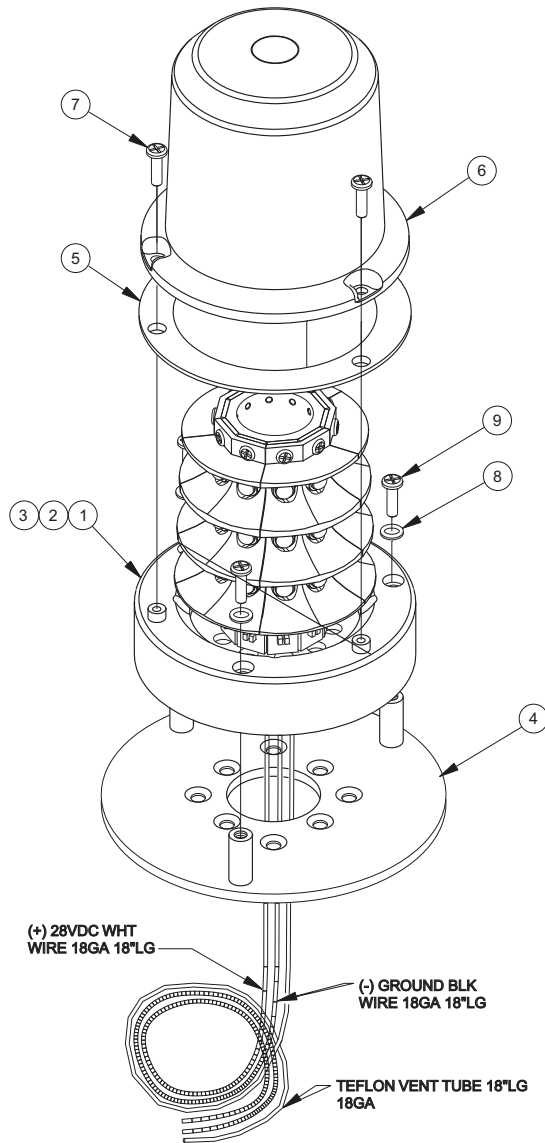


FIGURE 50

Item	Whelen P/N	Model No.	Description
1	01-0271179-01	7117901	Assembly, Position/Strobe Light, 14V, Green, 71110
2	01-0271179-02	7117902	Assembly, Position/Strobe Light, 14V, Red, 71110
3	01-0271179-03	7117903	Assembly, Position/Strobe Light, 28V, Green, 71110
4	01-0271179-04	7117904	Assembly, Position/Strobe Light, 28V, Red, 71110
5	38-0230021-00	W1283	Gasket, Position Light Lens, W-1283/W-1285/A650
6	68-3950902A30	5090230	Lens, Clear Forward Position Light, Hardcoat
7	38-0130107-00	A4274	Gasket, A427-4 1/4" Thick Spacer
8	36-0050626-01	5062601	Assembly, Flashtube, 6" Leads with Grommet
9	68-2290005-34	A612C	Lens, Clear/Coated A612 (RFI Shielded)
10	19-171122-100	71122100	Retainer, Lens, Model 71110, Iridite/Complete
11	14-0050508-27	5050827	Screw, 6-32 x 5/16" PFHMS CSNK MS51959-27

**MODEL 70905 () SERIES
LED ANTI-COLLISION LIGHT**



**MODEL 71011 SERIES, 28V LED
TAIL POSITION LIGHT**

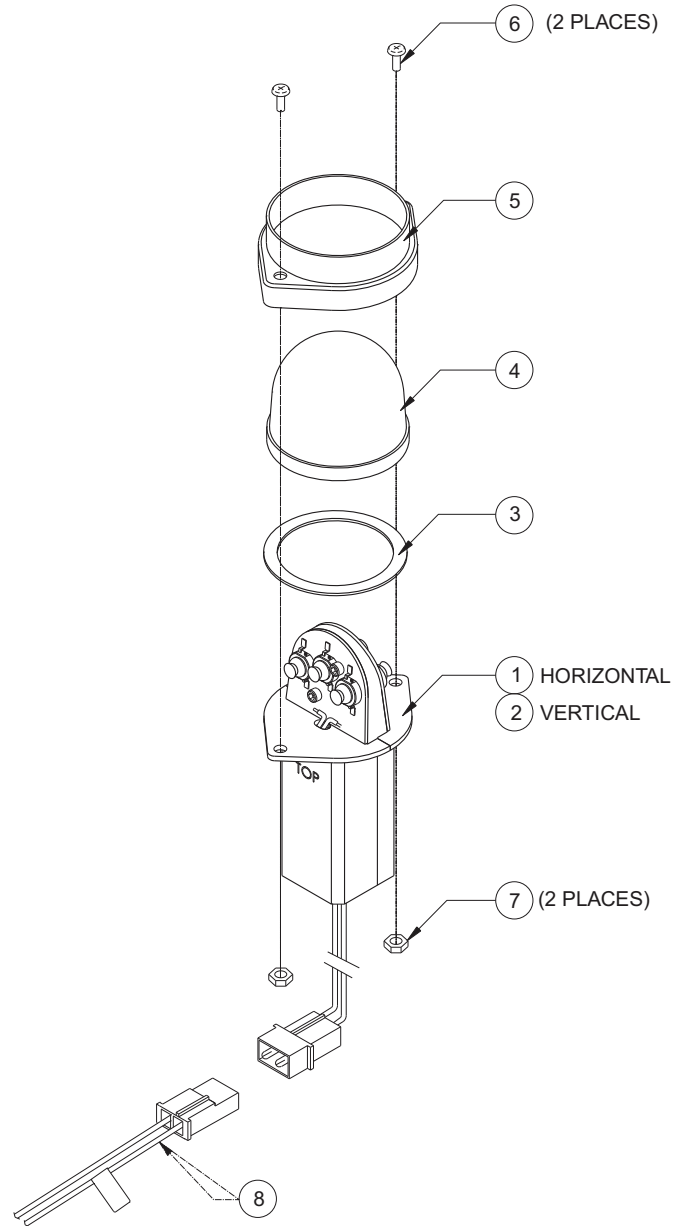


FIGURE 51

Item	Whelen P/N	Model No.	Description
1	01-0270910-00	7091000	LED Module, used on 70905 Series LED Beacon
2	01-0270910-20	7091020	Assembly, LED Beacon Module Blue
3	01-0270910-30	7091030	Assembly, LED Beacon Module White
4	07-770902-100	70902100	Adapter Plate, LED Anti-Collision Light
5	38-0250843-00	5084300	Gasket, Lens, used on 70905 & 70900 Series LED Beacon
6	68-4990257-30	9025730	Lens, Clear, used on 70905 & 70900 Series LED Beacons
7	14-0050503-31	5050331	Screw, 6-32 x 5/8" PPHMS MS51957-31
8	16-0050506136	5050613	Washer, Split LK. #6 MS35338-136
9	14-062216-05M	6221605	Screw, 6-32 x 5/16", PPHM

FIGURE 52

Item	Whelen P/N	Model No.	Description
1	01-0290307-02	9030702	Assembly, Horizontal LED Tail Position Light, 28V
2	01-0290307-03	9030703	Assembly, Vertical LED Tail Position Light, 28V
3	38-0231061-00	3106100	Gasket, Lens, LED Tail Position Light
4	68-3970991-30	—	Lens, Clear, Tail Position Light
5	19-0150350-03	5035003	Retainer Mask, .635" Tall
6	14-0050505-18	5050518	Screw, 4-40 x 5/8" PPHMS MS51957-18
7	13-082130-040	82130040	Nut, Hex - #8-32 x 1/4" Brass
8	46-0750898-00	5089800	Assembly, 28V Pigtail 6" Black/White

**MODEL 71011 SERIES, 14V LED
TAIL POSITION LIGHT**

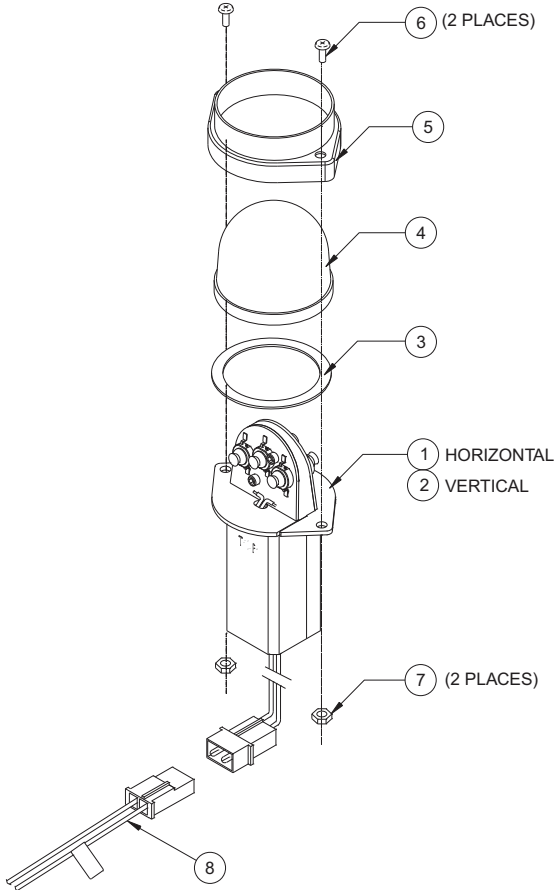


FIGURE 53

Item	Whelen P/N	Model No.	Description
1	01-0290331-13	9030702	Assembly, Horizontal, LED Tail Position Light, 14V
2	01-0290331-12	9030703	Assembly, Vertical, LED Tail Position Light, 14V
3	38-0231061-00	3106100	Gasket, Lens, LED Tail Position Light
4	68-3970991-30	7099130	Lens, Clear, Tail Position Light
5	19-0150350-03	5035003	Retainer Mask, .635" Tall
6	14-0050505-18	5050518	Screw, 4-40 x 5/8" PPHMS MS51957-18
7	13-082130-040	82130040	Nut, Hex - #8-32 x 1/4" Brass
8	46-0750898-00	5089800	Assembly, 28V Pigtail 6" Black/White

**MODEL 90520 SERIES
LED FLASHING SPLIT ANTI-COLLISION
LIGHT ASSEMBLY**

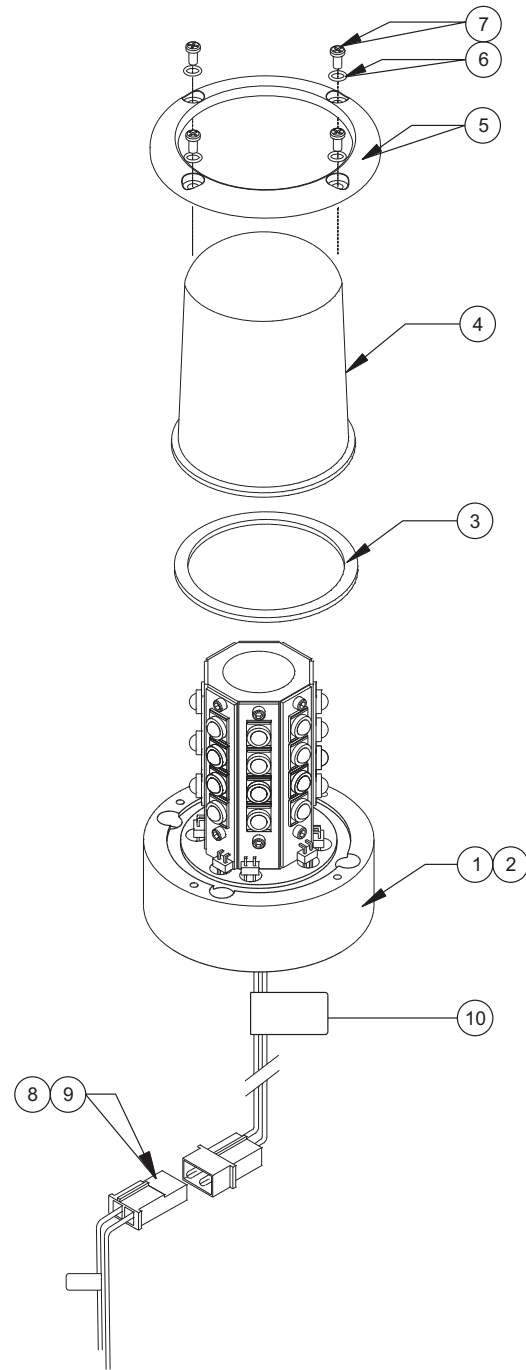


FIGURE 55

Item	Whelen P/N	Model No.	Description
1	01-0290522-01	9052201	Assembly, 14V, LED Anti-Collision Light Split Red/White
2	01-0290522-50	9052250	Assembly, 28V, LED Anti-Collision Light Split Red/White
3	38-0250885-00	5088500	Gasket, Lens, Model 71055 Series
4	68-4971082A30	71082A30	Lens, Clear, LED Anti-Collision Hardcoat
5	19-171047-100	7104710	Retainer, Lens, Iridite/Complete
6	16-0050506135	506135	Washer, #4 Lock-Spring Ms35338-135
7	14-0050505-14	5050514	Screw, 4-40 X 5/16 Pphms Ms51957-14
8	46-0750898-00	5089800	Assembly, 28V, Pigtail 6" Black/White
9	46-0750898-01	5089801	Assembly, 14V, Pigtail 6" Black/Red
10	10-0531181-()	—	Label, PN/MN/SN, Model 90520()

**MODEL 70966 () SERIES
FINAL ASSEMBLY**

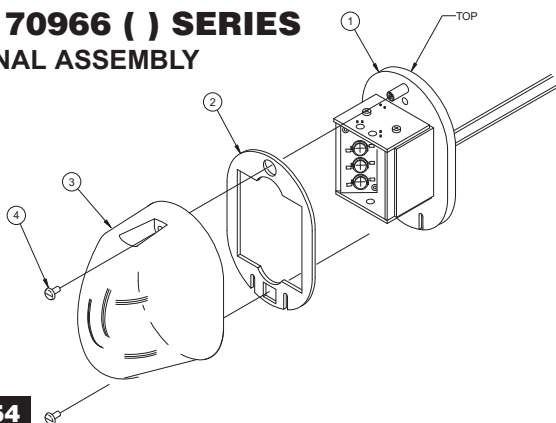


FIGURE 54

Item	Whelen P/N	Model No.	Description
1	01-0290273-01()	9027301	LED/PCB Module Assembly with Ground Lead
2	38-0250855-00	5085500	Gasket, Lens
3	68-3970804A30	70804A30	Lens, Clear, used on 70966 Series LED Taillight
4	14-040E06-02M	40E0602	Screw, 4-40 x 1/8" Slot FLSKHD SS

STROBE POWER SUPPLY REPLACEMENT LISTING

Old Part Number	Old Model Number	Description	Current Replacement
A413,HS-41-14	HS,41	Single strobe unit, SingleFlash, 14 VDC, 33 joule	Model HDACF P/N 01-0770028-05
A413,HS-41-28	HS,41	Single strobe unit, SingleFlash, 28 VDC, 33 joule	
A413,HD-14	HD	Dual strobe unit, SingleFlash, 14 VDC, alternating	
A413,HD-28	HD	Dual strobe unit, SingleFlash, 28 VDC, alternating	
A413,HD-42-14	HD,42	Dual strobe unit, SingleFlash, 14 VDC, alternating, 33 joule	
A413,HD-42-28	HD,42	Dual strobe unit, SingleFlash, 28 VDC, alternating, 33 joule	
A413,T2-14	HD,T2	Dual strobe unit, SingleFlash, 14 VDC, simultaneous, 16 joule	
A413,T2-28	HD,T2	Dual strobe unit, SingleFlash, 28 VDC, simultaneous, 16 joule	
A413,T2-DF-14	HD,T2,DF	Dual strobe unit, DoubleFlash, 14 VDC, simultaneous, 16 joule	
A413,T2-DF-28	HD,T2,DF	Dual strobe unit, DoubleFlash, 28 VDC, simultaneous, 16 joule	
A413,T3-14	HD,T3	3 strobe unit, SingleFlash, 14 VDC, w/trigger function	
A413,T3-28	HD,T3	3 strobe unit, SingleFlash, 28 VDC, w/trigger function	
A413,HD,DF-14	HD,DF	3 strobe unit, DoubleFlash, 14 VDC	
A413,HD,DF-28	HD,DF	3 strobe unit, DoubleFlash, 28 VDC	
A413,T3-DF-14	HD,T3,DF	3 strobe unit, DoubleFlash, 14 VDC, w/trigger function	
A413,T3-DF-28	HD,T3,DF	3 strobe unit, DoubleFlash, 28 VDC, w/trigger function	
A413A,HDA-DF-14	HDA,DF-14	4 strobe unit, DoubleFlash, 14 VDC	
A413A,HDA-DF-28	HDA,DF-28	4 strobe unit, DoubleFlash, 28 VDC	
A413A,HDA-DF-14/28	HDA,DF-14/28	4 strobe unit, DoubleFlash, 14 or 28 VDC	
A413A,HDA-CF-14/28	HDA,CF-14/28	4 strobe unit, CometFlash®, 14 or 28 VDC	
A412A,HS-14	HS,14	Single strobe unit, SingleFlash, 14 VDC	Model A490ATSC P/N 01-0770062-03
A412A,HS-28	HS,28	Single strobe unit, SingleFlash, 28 VDC	
A412A,HS,DF-14	HS,DF-14	Single strobe unit, DoubleFlash, 14 VDC	
A412A,HS,DF-28	HS,DF-28	Single strobe unit, DoubleFlash, 28 VDC	
A490,TS-14	HTS	Single strobe unit, SingleFlash, 14 VDC	
A490,TS-28	HTS	Single strobe unit, SingleFlash, 28 VDC	
A490A,TS,DF	HTS,DF	Single strobe unit, DoubleFlash, 14 or 28 VDC	
A490A,TS,CF-14/28	HTS,CF	Single strobe unit, CometFlash®, 14 or 28 VDC	Model A490TCF P/N 01-0770006-08
A490,T-14	HT	Single strobe unit, SingleFlash, 14 VDC	
A490,T-28	HT	Single strobe unit, SingleFlash, 28 VDC	
A490,T,DF-14	HT,DF	Single strobe unit, DoubleFlash, 14 VDC	
A490,T,DF-28	HT,DF	Single strobe unit, DoubleFlash, 28 VDC	
A490,T,DF-14/28	HT,DF	Single strobe unit, DoubleFlash, 14 or 28 VDC	Model A490TCCF P/N 01-0770006-09
A490,T,CF-14/28	HT,CF	Single strobe unit, CometFlash®, 14 or 28 VDC	
A490,TC,DF-14	HTC,DF	Single strobe unit, DoubleFlash, 14 VDC w/mtg. plate	
A490,TC,DF-28	HTC,DF	Single strobe unit, DoubleFlash, 28 VDC w/mtg. plate	
A490,TC,DF-14/28	HTC,DF	Single strobe unit, DoubleFlash, 14 or 28 VDC w/mtg. plate	Model HRCFA P/N 01-0770029-() Specify lens color R=Red, W=White S=Split Red/White
A490,TC,CF-14/28	HTC,CF	Single strobe unit, CometFlash®, 14 or 28 VDC w/mtg. plate	
	HR,14	Self-Contained Strobe, 14 VDC	
	HR,28	Self-Contained Strobe, 28 VDC	
	HR,DF,14	Self-Contained Strobe, DoubleFlash 14 VDC	
	HR,DF,28	Self-Contained Strobe, DoubleFlash 28 VDC	
	HR,DF,14/28	Self-Contained Strobe, DoubleFlash 14 or 28 VDC	
	HR,DFA,14/28	Self-Contained Strobe, DoubleFlash 14 or 28 VDC (A402A lens)	

Below is the code system Whelen uses to identify and manufacture the type and style Post Light you're looking for, this code sheet shows the permutations of the most common constructions that are in our system. In other words, its a way to reference what enters our ordering system versus the construct of the Ordering Code found in the Catalog.

BREAKDOWN	MODEL #	PART NUMBER
A350CN-IW-BK-LG-6	A350CN00	01-0770119-00
A350CN-RD-BK-LG-6	A350CN01	01-0770119-01
A350CN-CL-BK-LG-6	A350CN02	01-0770119-02
A350CN-IW-BK-SH-6	A350CN03	01-0770119-03
A350CN-RD-BK-SH-6	A350CN04	01-0770119-04
A350CN-CL-BK-SH-6	A350CN05	01-0770119-05
A350CN-IW-BK-LG-14	A350CN06	01-0770119-06
A350CN-RD-BK-LG-14	A350CN07	01-0770119-07
A350CN-CL-BK-LG-14	A350CN08	01-0770119-08
A350CN-IW-BK-SH-14	A350CN09	01-0770119-09
A350CN-RD-BK-SH-14	A350CN10	01-0770119-10
A350CN-CL-BK-SH-14	A350CN11	01-0770119-11
A350CN-IW-BK-LG-28	A350CN12	01-0770119-12
A350CN-RD-BK-LG-28	A350CN13	01-0770119-13
A350CN-CL-BK-LG-28	A350CN14	01-0770119-14
A350CN-IW-BK-SH-28	A350CN15	01-0770119-15
A350CN-RD-BK-SH-28	A350CN16	01-0770119-16
A350CN-CL-BK-SH-28	A350CN17	01-0770119-17
A350CN-IW-GR-LG-6	A350CN18	01-0770119-18
A350CN-RD-GR-LG-6	A350CN19	01-0770119-19
A350CN-CL-GR-LG-6	A350CN20	01-0770119-20
A350CN-IW-GR-SH-6	A350CN21	01-0770119-21
A350CN-RD-GR-SH-6	A350CN22	01-0770119-22
A350CN-CL-GR-SH-6	A350CN23	01-0770119-23
A350CN-IW-GR-LG-14	A350CN24	01-0770119-24
A350CN-RD-GR-LG-14	A350CN25	01-0770119-25
A350CN-CL-GR-LG-14	A350CN26	01-0770119-26
A350CN-IW-GR-SH-14	A350CN27	01-0770119-27
A350CN-RD-GR-SH-14	A350CN28	01-0770119-28
A350CN-CL-GR-SH-14	A350CN29	01-0770119-29
A350CN-IW-GR-LG-28	A350CN30	01-0770119-30
A350CN-RD-GR-LG-28	A350CN31	01-0770119-31
A350CN-CL-GR-LG-28	A350CN32	01-0770119-32
A350CN-IW-GR-SH-28	A350CN33	01-0770119-33
A350CN-RD-GR-SH-28	A350CN34	01-0770119-34
A350CN-CL-GR-SH-28	A350CN35	01-0770119-35

WHELEN CROSS REFERENCE LISTS

WHELEN/AEROFASH/CESSNA CROSS REFERENCE LIST

Whelen Model	Whelen P/N	Whelen LED Equivalent Model #	Cessna P/N	Aeroflash P/N	Description
A427-3	38-0130106-00	-	C622006-0105	80-0018	Strobe Tube Gasket/Spacer
A427	02-0250274-00	-	C622006-0106	073-0270	Strobe Flash Tube Assembly
A427	02-0250274-00	-	C622006-0108	073-0270	Strobe Flash Tube Assembly
A428	68-4290001-30	-	C622006-0103	111-0016	Wing tip Strobe Lens (Clear)
A426	19-1900000-009	-	-	101-0084	Lens Retainer
A650PG14	01-0770054-00	7111001	-	073-0530G	Strobe/Position Light Assembly 14V, Green
A650PR14	01-0770054-02	7111002	-	073-0530R	Strobe/Position Light Assembly 14V, Red
A600PG14	01-0790006-00	9034001	-	073-0540G	Strobe/Position/Tail Light Assembly 14V, Green
A600PR14	01-0790006-02	9034002	-	073-0540R	Strobe/Position/Tail Light Assembly 14V, Red
A490TCCF	01-0770006-09	-	C622008-0101	152-0007	Strobe Power Supply, 14V
A490TCCF	01-0770006-09	-	C622007-0101	152-0008	Strobe Power Supply, 14V
A490TCCF	01-0770006-09	-	C622008-0102	152-0009	Strobe Power Supply, 28V
A490TCCF	01-0770006-09	-	C622007-0103	152-0010	Strobe Power Supply, 28V
A490TCCF	01-0770006-09	-	-	152-0011	Strobe Power Supply, 14V, double flash
7050900	01-0770509-00	7105500	C621001-0106	151-0001	Flasher Assembly (Red 14V)
7050903	01-0770509-03	7105501	C621001-0102	151-0004	Flasher Assembly (Red 28V)
SA406	02-0350053-00	-	-	073-0141	Strobe Flash Tube Assembly
28V150W	34-0226010-91	-	C17312-1	040-0003	Halogen Lamp, 28V 150W
12V125W	34-0212010-97	-	C17312-3	040-0028	Halogen Lamp, 14V 125W

WHELEN/SDI/HOSKINS CROSS REFERENCE LIST

Whelen Model	Whelen P/N	Whelen LED Equivalent Model #	SDI/HOSKINS P/N	Description
A650	01-0770053-00	-	701303-1	Wing tip Strobe Flash Tube Assembly, Left
A650	01-0770053-00	-	701303-2	Wing tip Strobe Flash Tube Assembly, Right
A430	01-0770031-00	-	30-0005-1	Wing tip Strobe Flash Tube Assembly (Amp Conn.)
A625	01-0770058-00	-	30-0005-1	Wing tip Strobe Flash Tube Assembly (Amp Conn.)
A625	01-0770058-00	-	30-0005	Wing tip Strobe Flash Tube Assembly (MS Conn.)
A450	01-0770032-00	-	201803-1	Remote Strobe Light Assembly, White Lens
A470AR	01-0770019-18	-	201803-2	Remote Strobe Light Assembly, Red Lens
A470AW	01-0770019-19	-	201945-1	Remote Strobe Light Assembly, White Lens
A470AR	01-0770019-18	-	201945-2	Remote Strobe Light Assembly, Red Lens
A470AS	01-0770019-20	-	201945-7	Remote Strobe Light Assembly, Red/White Lens
A500AV14	01-0770024-00	-	701557-1	Combination Nav/Strobe Tail Light 14V
A500AV28	01-0770024-01	-	701557-2	Combination Nav/Strobe Tail Light 28V
A500AV14	01-0770024-00	-	701557-1M	Combination Nav/Strobe Tail Light 14V (Mooney)
A500AV14	01-0770024-00	-	701557-5	Combination Nav/Strobe Tail Light 14V (Beech)
A500AV28	01-0770024-01	-	701557-6	Combination Nav/Strobe Tail Light 28V (Beech)
HRCFAW	01-0770029-30	-	701620-1	Bright Star 14V, Self Contained Strobe (Clear Lens)
HRCFAR	01-0770029-29	7090004	701620-2	Bright Star 14V, Self Contained Strobe (Red Lens)
HRCFAS	01-0770029-31	-	701620-3	Bright Star 14V, Self Contained Strobe (Red/Clear Lens)
HRCFAW	01-0770029-30	-	700801-1	Silver Star 14-28V, Self Contained Strobe (Clear Lens)
HRCFAR	01-0770029-29	7090005	700801-2	Silver Star 14-28V, Self Contained Strobe (Red Lens)
HRCFAS	01-0770029-31	-	700801-7	Silver Star 14-28V, Self Contained Strobe (Red/Clear Lens)
7028523	01-0770285-23	-	700801-H-1	Silver Star 14-28V, Self Contained Strobe (Clear Lens) Helicopter
7028525	01-0770285-25	7090501	700801-H-2	Silver Star 14-28V, Self Contained Strobe (Red Lens) Helicopter
7028524	01-0770285-24	-	700801-H-7	Silver Star 14-28V, Self Contained Strobe (Red/Clear Lens) Helicopter
A490TCF	01-0770006-08	-	701295-3	Strobe Power Supply (14V)
A490TCF	01-0770006-08	-	701295-4	Strobe Power Supply (24V)
D900287	01-0790028-07	-	701148-7-2	Remote Strobe Light Fixture W/MS connector

WHELEN/GRIMES CROSS REFERENCE LIST

Grimes P/N	Whelen P/N	Whelen Model	Whelen LED Equivalent Model #	Description
A1280-1	68-4230020-30	W1284C	-	Position Light Lens, Clear
A1280-2	68-4230020-50	W1284R	-	Position Light Lens, Red
A1280-3	68-4230020-40	W1284G	-	Position Light Lens, Green
A1285G-14	01-0770001-41	W1285PG1	-	Position Light Assembly, Green, 14V
A1285G-28	01-0770001-42	W1285PG2	-	Position Light Assembly, Green, 28V
A1285R-14	01-0770001-51	W1285PR1	-	Position Light Assembly, Red, 14V
A1285R-28	01-0770001-52	W1285PR2	-	Position Light Assembly, Red, 28V
A1719	01-0770106-()	A315LO-()	-	Cockpit Utility Light
A1815AG-14	01-0770082-02	W1250PG1	-	Position Light Assembly, Green, 14V
A1815AG-28	01-0770082-03	W1250PG2	7101501	Position Light Assembly, Green, 28V
A1815AR-14	01-0770082-00	W1250PR1	-	Position Light Assembly, Red, 14V
A1815AR-28	01-0770082-01	W1250PR2	7101502	Position Light Assembly, Red, 28V
A2064-12 or 14	01-0770034-00	A555AV14	7101112	Tail Position Light Assembly, 14V
A2064-24 or 28	01-0770034-01	A555AV28	7101102	Tail Position Light Assembly, 28V
A4174-24	34-0070372-01	WA4174-24	-	Reflector Lamp, 28V, 40W
A5413-1	68-3670390-30	WA4513-1	-	Lens, Aviation White
A5395	01-0770113-()	A315HI-()	-	Cockpit Utility Light
A6458	27-0270382-00	W6458	-	Motor, 28V
A6532	27-0270381-00	W6532	-	Motor, 28V
A6795	01-0770348-()	70348()	-	Post Light
A7079B-12	34-0070371-02	WA7079B-12	-	Reflector Lamp, 14V, 40W

WHELEN/GRIMES CROSS REFERENCE LIST

Grimes P/N	Whelen P/N	Whelen Model	Whelen LED Equivalent Model #	Description
A7079B-24	34-0070371-01	WA7079B-24		Reflector Lamp, 28V, 40W
A7512-12	34-0414020-65	W1290-14		Reflector Lamp, 14V, 26W
A7512-24	34-0428020-65	W1290-28		Reflector Lamp, 28V, 26W
A8970	01-0770119-()	A350CNRD-()		Post Light
A8970B	01-0770119-()	A350CNIW-()		Post Light
A8970C	01-0770119-()	A350CNCL-()		Post Light
A8970IR	01-0770119-()	A350CNRD-()		Post Light
A9906-7	34-0050315-01	WA9906-7		Lamp, miniature threaded, 28V
B3550-()	01-0770142-()	A360-()	70813 series	Cabin Light Assembly
B3555-()	01-0770142-()	A360S-()		Cabin Light Assembly (w/switch)
B4150B	01-0770155-01	A715-1		Landing Light Housing (Par-36)
D6490	01-0790095-()	90095-()		Landing Light Housing (Par-46)
D7080A-()	01-0770029-()	HRCFA()	70900 series	Self-Contained Strobe Light
G7740A-()	01-0770029-()	HRCFA()	70900 series	Self-Contained Strobe Light
G8400-()	01-0770029-()	HRCFA()	70900 series	Self-Contained Strobe Light
G9950-()	01-0790044-()	90044()	90088 series	Flashing Beacon
10-0031-()	01-0770210-()	70210()		Threshold Light Assembly
10-0035-()		C702321		Aisle Light
10-0644-1	01-0770061-()	A325ML()		Map light
10-0644-3	01-0770061-()	A325FL()		Map light
11631	34-0070372-02	W11631		Reflector Lamp, 6.2V, 40W
15-0083-()	01-0770104-()	A300()		Map light
1512	34-0070373-01	W1512		Reflector Lamp, 12V, 21W
1524	34-0070373-03	W1524		Reflector Lamp, 24V, 21W
16870	34-0070371-03	W16870		Lamp
1982SP	34-0070403-00	W1982SP		Lamp, 28V, 75W
30-0437-1	01-0770030-01	SACF	70900 series	Self-Contained Strobe
30-0437-100	01-0770029-()	HRCFA()	70900 series	Self-Contained Strobe
30-0465-5	01-0770032-00	A450		Remote Strobe Head Assembly
30-0467-()	01-0790028-07	D90028-7		Wing tip Strobe Light
30-0467-()	01-0790028-09	D90028-9		Tail Strobe Light
30-0504-1	01-0770019-19	A470AW		Remote Strobe Light Assembly, White
30-0504-3	01-0770019-18	A470AR		Remote Strobe Light Assembly, Red
30-0516-()	01-0770024-()	A500AV()		Tail Strobe/Position Light Assembly
30-0531-1	01-0770058-03	A625		Remote Strobe Light Assembly
30-0538-1	01-0770054-02	A650PR14	7111002	Strobe/Position Light Assembly, Red, 14V
30-0538-11	01-0770053-00	A650		Strobe Assembly, Modification required
30-0538-2	01-0770054-00	A650PG14	7111001	Strobe/Position Light Assembly, Green, 14V
30-0538-3	01-0770054-03	A650PR28	7111004	Strobe/Position Light Assembly, Red, 28V
30-0538-4	01-0770054-01	A650PG28	7111003	Strobe/Position Light Assembly, Green, 28V
30-0815-()	01-0750139-()	A512A()		Strobe Tube & Socket Assembly
30-1329-()	01-0790029-()	90029()		Strobe/Position Light Assembly
30-0863-1	01-0770239-()	70239()		Strobe/Position Light Assembly
30-1331-()	01-0790028-()	D90028()		Strobe Light Head
30-1467-()	01-0790028-()	D90028()		Strobe Light Head
30-1661-()	01-0770486-01 / -02	7048601 / 7048602		Navigation Light/Position Light used on Fairchild Metros
31-2645-1	02-0250274-00	A427		Flash-tube Assembly
36170-()	01-0770190-()	C70190()	71144 series	Goose Neck Light
40-0100-()	01-0790044-()	90044()	90088 series	Flasher Beacon
40-0117-()	01-0790044-()	90044()	90088 series	Flasher Beacon
40-0127-()	01-0790044-()	90044()	90088 series	Flasher Beacon
40-0129-()	01-0770029-()	HRCFA()	70900 series	Self-Contained Strobe light
55-0069-1	27-0270383-00	W55-0069-1		Motor, 28V
55-0221-1	36-0170384-01	W55-0221-1		Strobe Tube, Pyrex
55-0221-5	36-0170384-02	W55-0221-5		Strobe Tube, Quartz
55-0331-3	36-0170386-01	W55-0331-3		Strobe Tube, Quartz
55-0681-7	36-0170387-01	W55-0681-7		Strobe Tube, Quartz
55-0723-1	36-0170388-01	W55-0723-1		Strobe Tube, Quartz
60-1431-1	01-0770028-05	HDACF		Power Supply
60-1431-3	01-0770028-05	HDACF		Power Supply
60-1592-5	01-0770028-05	HDACF		Power Supply
60-1592-11	01-0770028-05	HDACF		Power Supply
60-1750-1	01-0790079-04	90079-04		Power Supply, MS Connectors
60-1750-3	01-0790079-04	90079-04		Power Supply, MS Connectors
60-2471-3	01-0790080-01	90080-01		Power Supply
60-2799-()	01-0790101-05	90101-05		Power Supply, Wing-tip mount
60-2836-1	01-0770028-05	HDACF		Power Supply
60-2927-1	01-0770028-05	HDACF		Power Supply
626	34-0070389-00	W626		Reflector Lamp, 6.2V, 40W
628	34-0070373-02	W628		Reflector Lamp, 26.5V, 26W
632	34-0070375-01	W632		Lamp, Tail Light, 28V
674	34-0070374-01	W674		Lamp, Reading Light, 28V
678	34-0070391-01	W678		Lamp, Tail Light, 28V
684-24	34-0070392-01	W68424		Reflector Lamp, 28V, 40W
692	34-0270398-9H	W692		Lamp. D.C. Bayonet, 28V, 25W

WHELEN®

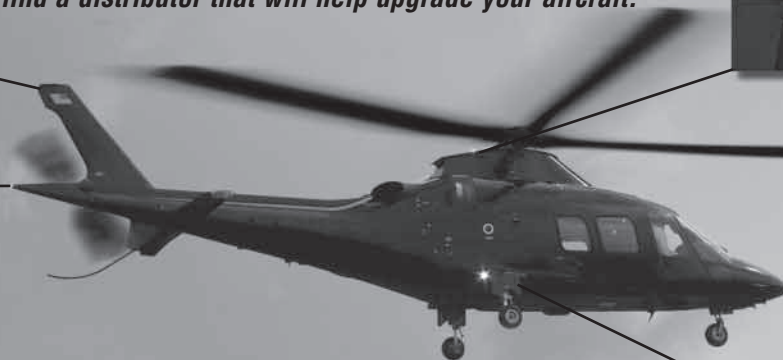
Download our new Helicopter Lighting Catalog at www.whelen.com



When you're attempting an around the world record in an unmodified A109, you better have the reliability of Whelen's LED Aviation lighting. In the cockpit, Landing/Taxi, Anticollision & Navigation, our products are state of the art. Visit www.whelen.com, click aviation link to find a distributor that will help upgrade your aircraft.



For a complete look at Whelen and it's line of Aviation, Automotive, Industrial, and Outdoor Warning Products...



*Please visit us on the WEB at:
www.whelen.com*



*For the Latest in
LED Technology for Helicopter
and General Aviation Lighting!*



AMERICAN EMPLOYEES.
AMERICAN MANUFACTURING.
AMERICAN PRIDE!



WHELEN®

ENGINEERING COMPANY, INC.



12361A-03-29-10

51 Winthrop Road, Chester, Connecticut 06412-0684 • **PHONE:** (860) 526-9504 • **FAX:** (860) 526-2009
Web: www.whelen.com • **Email:** aviation@whelen.com • **Whelen 800 FAX Order Line Only:** (800) 637-8762